

000:

000000 00000 0000 00 0000000 0000000 0000000 00000 0000 000000 0000 00 00000000 0000 00 00000000 PTFE 0000000 0000000 00000 0 0000000 PTFE 3 0000 0000 00 0000 0000000 0000 0000 00 00000.000000 0000000 0000000 0000 0000.0000000 000000000 000000000 0000000 000000 0000 000000000 0000000 00000 000000 00000 0000 0 00 4 0000 0000 00000000 0000000 0000000 Valve 0000 0 00000000 00000000000 0000000 PTFE 0 Nylon Painting 0 0000 0 0000000 00000000000 00000000 0000000 00000000000.

0000:

1. 00000000000 00 00 00 0000000 00 00000000 0000 0000
- 0000000 0000000 0000 000000000 000000000 0000 00000000 0000 00000 0000 0000 0000 0000000 0000000 0000 000000 0000 .2 00000000000
3. PTFE Liner 0000000000 00000000 0000 0000000 00000000 00000 00000
- 000000 0000000 000000000 00000000 0000000 0 000000000 00000 .4
- 0000 00000000 0000000 0000000 000000 00 00000000 00000 .5 lugged

## DESIGN FEATURES



### DURABLE :

- 1 piece non-welded PFA molded DSS Disc stem
- Precision casting WCB/CF8M Bodies

### TRIPLE SEAL:

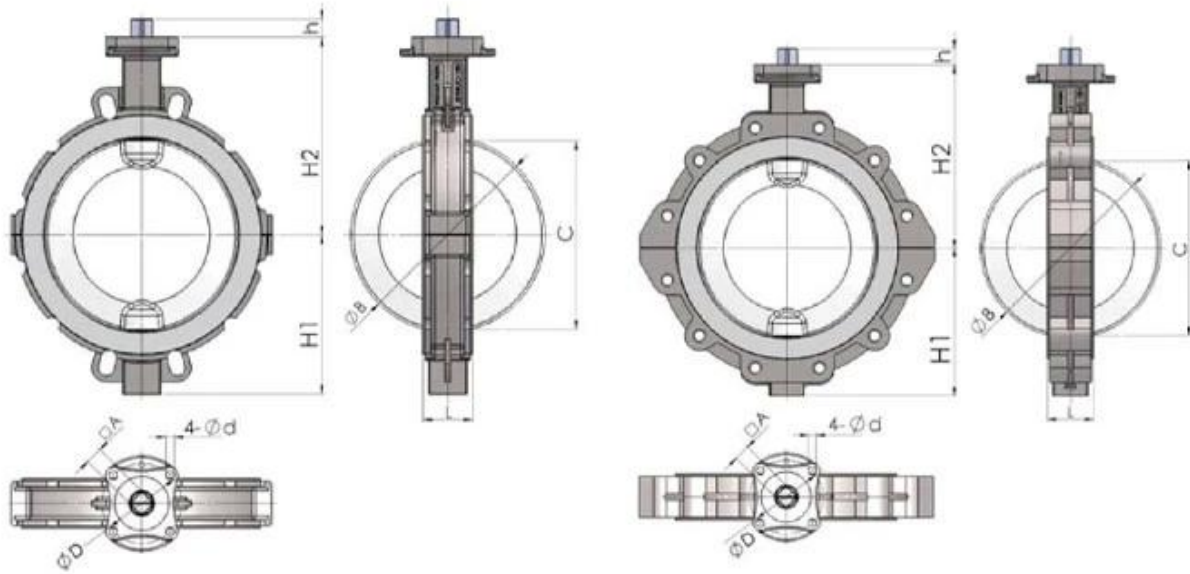
- Triple Seal:Spring loaded Mechanical seal,Ra-dial Lip Seal,FPM
- China ONLY ONE Manufacturer 400Mpa Iso-static pressing PTFE seat,consistent density

### ANTI-CORROSION:

- Material: Epoxy powder
- Coating Thickness:200-250μm
- Spraying temp: over 200°C. Doesn't fade, even wipe with diethyl ether

### QUALITY STANDARD

- 100% quality test, follow DIN, ASTM, JIS, GB/T, ISO, BS EN, API
- ONLY ONE Manufacturer get CE certification up to DN1800
- 2 years warranty.15000 times On off test,30000 times Destructive experiment



Wafer

Lug

**IMPERIAL DIMENSIONS:Inches**

Size	L	H1	H2	h	A	B	C	D	d	ISO5211
NPS2	1.69	2.20	5.31	0.47	0.43	2.01	1.08	1.97	0.28	F05
NPS2 1/2	1.81	3.35	5.91	0.47	0.43	2.72	1.99	1.97	0.28	F05
NPS3	1.81	3.74	6.30	0.63	0.55	3.27	2.70	2.76	0.35	F07
NPS4	2.05	4.13	7.09	0.63	0.55	4.06	3.50	2.76	0.35	F07
NPS5	2.20	4.92	7.68	0.63	0.55	5.00	4.49	2.76	0.35	F07
NPS6	2.20	5.71	10.04	0.63	0.55	5.98	5.57	2.76	0.35	F07
NPS8	2.36	6.69	9.45	0.83	0.75	7.99	7.64	4.02	0.47	F10
NPS10	2.68	8.07	11.81	0.94	0.87	10.00	9.65	4.92	0.51	F12
NPS12	3.07	9.84	12.20	1.14	1.06	12.01	11.61	4.92	0.51	F12

# APPLICATION SCENARIO



Industrial water application



Power plant



Sea water desalination



Water treatment



Water supply and drainage



HAVC



Food and drug



Water transport





## COMPANY INFORMATION



i 本公司 設備 均 採用 國際 知名 廠牌 設備 製造 。

ii 本公司 設備 CNC 設備 均 採用 國際 知名 廠牌 設備 製造 。

iii 本公司 設備 均 採用 國際 知名 廠牌 設備 製造 。

iv 本公司 設備 均 採用 國際 知名 廠牌 設備 製造 。

v 本公司 設備 均 採用 國際 知名 廠牌 設備 製造 。

本公司 設備 均 採用 國際 知名 廠牌 設備 製造 。

01

21 years of professional experience

03

Independent research and development team  
28 top senior professional researchers

05

100% high level ex-factory inspection

07

2 years quality assurance, repair and replacement

4 factories

02

2 professional testing centers

04

High quality imported materials

06

## COMPANY QUALIFICATION



## COMPANY EXHIBITION







Our products are made of high quality materials :

Our products are : RKSfluid . Our products are made of high quality materials and are used for many applications .

Our products are :

. Our products are made of high quality materials and are used for many applications . 5 ~ 2 mm thick plates and pipes are available .

Our products are :

1 : pc . Our products are made of high quality materials and are used for many applications .

Our products are made of high quality materials and are used for many applications :

. Our products are made of high quality materials and are used for many applications . Our products are made of high quality materials and are used for many applications . 100 mm thick plates and pipes are available .

Our products are made of high quality materials and are used for many applications . TUV , API , WRAS , CE , ISO .

Our products are made of high quality materials and are used for many applications . DIN , ASME , BS EN , JIS , API , AWWA .

Our products are made of high quality materials and are used for many applications :

A: RKSfluid ONWER 20 YERSTRESS products 70 mm thick plates and pipes R&D products are available . Our products are made of high quality materials and are used for many applications .