



## Air Release valve

Size range:DN25–DN300

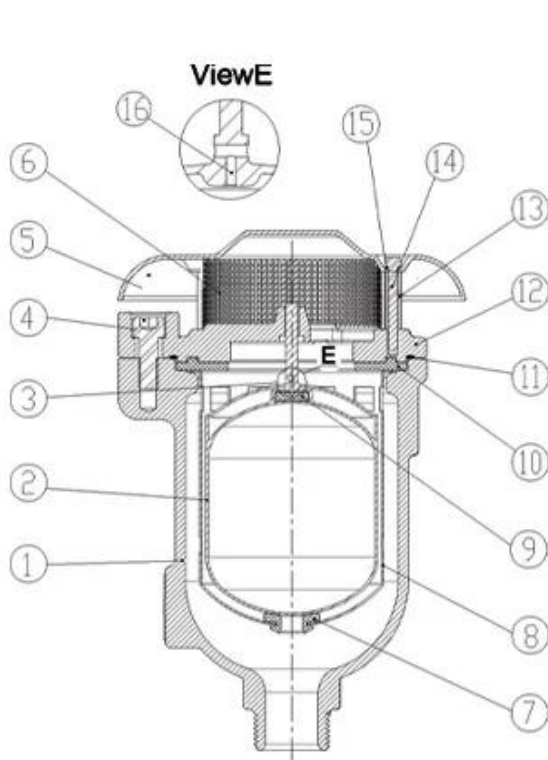
Pressure ratings:PN10 PN16

Body:Ductile Iron

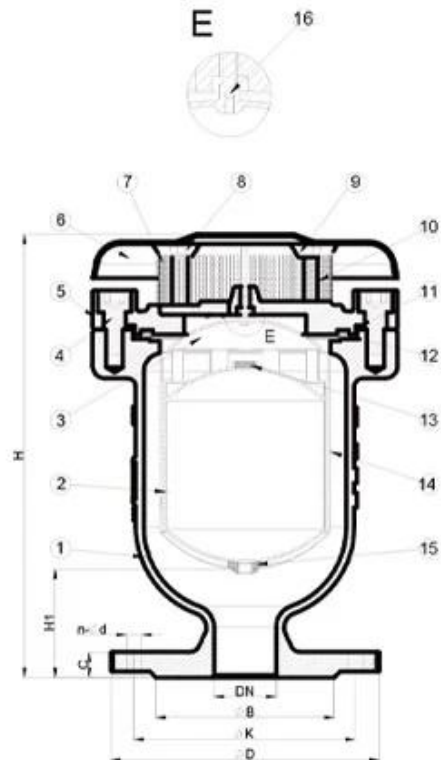
Trim:SS304 SS316 etc

Connection:ARVS/KARS–BPT threaded, KARX–Flanged

Working temperature:  $-10^{\circ}\text{C}\sim+80^{\circ}\text{C}$



DN25–DN50



DN50–DN300

說明:

1. 閥體
2. Aerokinetic 閥瓣
3. Bottom Rubber Buffer
4. 閥瓣
5. 閥瓣





## COMPANY QUALIFICATION



## COMPANY EXHIBITION



