



Air Release valve

Size range:DN25–DN300

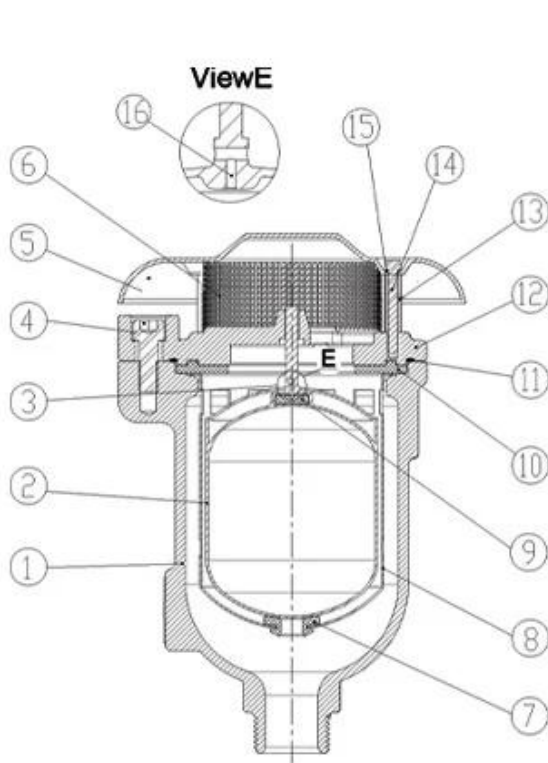
Pressure ratings:PN10 PN16

Body:Ductile Iron

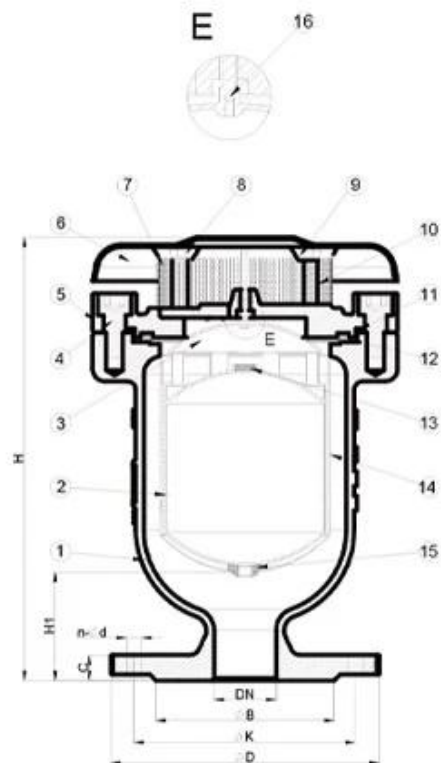
Trim:SS304 SS316 etc

Connection:ARVS/KARS–BPT threaded, KARX–Flanged

Working temperature: $-10^{\circ}\text{C}\sim+80^{\circ}\text{C}$



DN25–DN50



DN50–DN300

說明:

1. 閥體
 2. Aerokinetic 空氣動力學
 3. Bottom Rubber Buffer 底部橡膠緩衝器
 4. 閥蓋
 5. 閥蓋螺絲
- .com BS EN 1074-4

iii                                                                                       .

iv                                                                           .

v                : GB   German Standard   American Standard   Tuv CE   ISO 9001   ADWO-2000   TS   PED   WRC WRAS   KTW   API 6D   API609.

                                                                                     :                                                                                                    .



COMPANY QUALIFICATION



COMPANY EXHIBITION



Partners



Delivery



Payment



:□□□□□□□□

□□□□□□□□ □□□□ □□□□□□□□ □□ □□□ □ □□□□□□ □□□ □□□□□ □□□ □□□

A: .□□□□□□□□ □□□□ □ □□□□□□□ □ □□□□□ □ □□□□□□□ □□□□ □ □□□□□□□ □□□□

□□□□□ □□□□ □ □□□□□□□□ □□□□□ □□□□□ □□ □□

