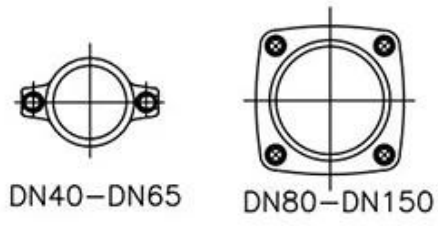
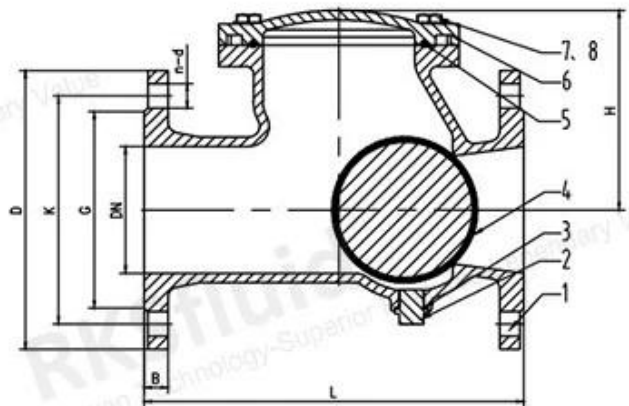
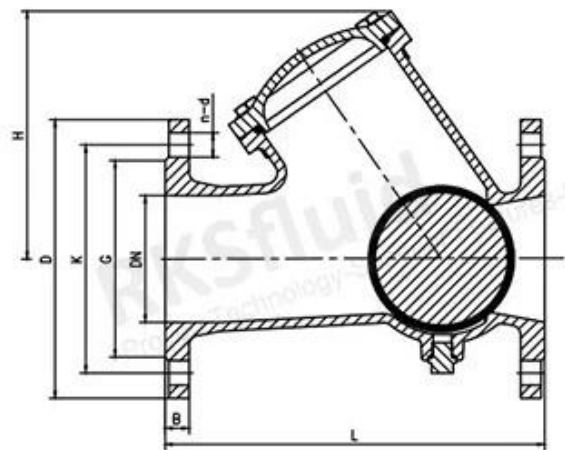


RKSfluid

EN 1171	
EN 1092-2	
DIN 12266-1	
0-80°C	
11/18bar	
15/24bar	
PN10/16	
DN40-DN500	



DN200-DN500

COMPANY INFORMATION



i 100% 100% 100% 100% 100% 100%

ii CNC 100% 100% 100% 100% 100% 100%

iii 100% 100% 100% 100% 100% 100%

iv 100% 100% 100% 100% 100% 100%

v GB 100% 100% 100% TUV CE ISO 9001 ADWO-2000 TS PED WRC WRAS KTW KTW API 6D API609

VI 100% 100% 100% 100% 100% 100% / 100% / 100%

COMPANY FACTORY



SHIPPING PACKAGING



COMPANY QUALIFICATION



COMPANY EXHIBITION



Partners



Delivery



Payment



□□□□

□□□□□□□□□□□□□□□□
□□□□□□□□□□□□□□□□

□□□□□□□□□□□□□□
□□□□□□□hrdraulic□□□□□RKSfluid□□□□□□□□□□□□□□□□

□□□□□□□□□□
□□RKSfluid□□□□□□□□□□□□

□□□□□□□□
□□□□□□□2□5□□□□□□□□□□□□□□□□□□□□□□

□□□□
□□□□□□□1□□

□□□□□□□□□□
□□□□□100□□□□□□2□□□□□□□□□□□□□□□□□
□□□□□TUV□API□WRAS□CE□ISO□□□□
□□□□□DIN□ASME□BS EN□JIS□API□AWWA□

□□□□□□□□□□□□□□□□
□□RKSfluid□□20□□□□□□□□70□□□□□□□□□□□□□□□□□□□□