

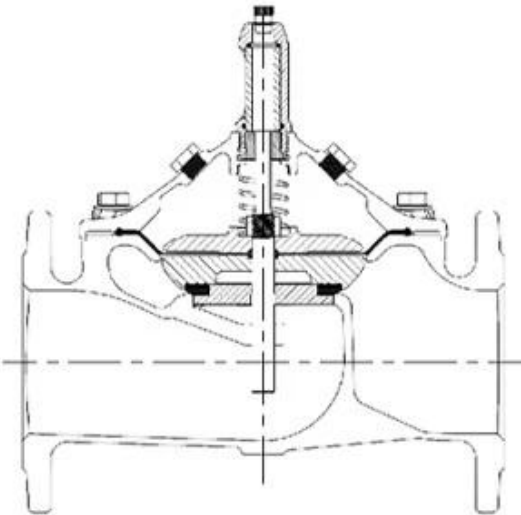
# DESIGN FEATURES

## FEATURES

- 1. Fully Bore with seat diameter as  $DN+2\text{ mm}$
- 2. Stable working even if the flow close to Zero
- 3. High performance and strength Nylon enforce diaphragm
- 4. One Million cycle test and 64 bar burst test

## MAIN VALVE MATERIAL OPTION

- Ductile iron (DI): DN40-1200
- SUS304 (S3) or SUS316 (S6) or Duplex (SD) or Carbon Steel (CS) or Bronze (BR): DN40-400
- Aluminum (AL): DN40-200



□□

□□□□□□□□□□□□□□□□□□□□

□□□□□□□□□□□□□□□□□□

□□□□□□□□□□

-1000000□□□□□□□□□□□□□□

- □□□□□□□□□□5□

□□□□□CNC□□

□□□□□□□□□□□□GSK□WIS□□

□□□□□□□

- □□□□□□□0.5 bar

□□1.1xpn+1□

- □□□□□□1.5xpn+1 bar

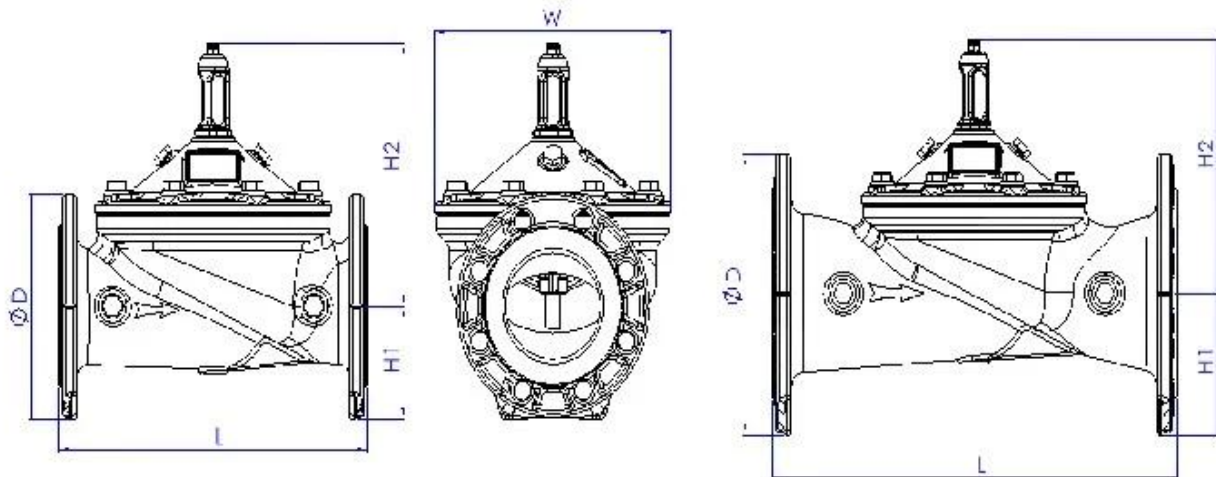
- □□□□□□□+/- 0.2 bar

□□□□□□1000□/□□□□□□□□□□□□

□□□□□□□□□□□□

□□WRAS/KTW/NSF/FDA/ACS□□□□□□□□□□□□□□

Size	DN40-DN1200
Working Medium	Water
Temperature	0°C~70°C
Material	Ductile Iron/Stainless Steel/Cast Steel/Bronze/Aluminum Alloy
Design Standards	CJ/T 219 & JB/T 10674 & EN 1074-5
Pressure Level	PN10, PN16, PN25
Stress Test Standard	GB/T 13927 & ISO 5208 & EN12266-1
Flange drilling standard	GB17241.6; EN1092-2; ISO7005-2; ANSI / JIS / AS2129
Structure Length	GB 12221 & EN558-1







i 工厂环境管理体系认证

ii CNC 加工中心精度认证

iii 质量管理体系认证

iv 环境管理体系认证

v 符合 GB 标准，通过 TUV CE、ISO 9001、ADWO-2000、TS、PED、WRC WRAS、KTW、KTW、API 6D、API609 认证

vi 工厂环境管理体系认证 / 工厂环境管理体系认证





## Exhibition Photos







□□□□□□□□□□□□□□□□□

□□RKSfluid□□20□□□□□□□□70□□□□□□□□□□□□□□□□□□□□□□□□□□□□