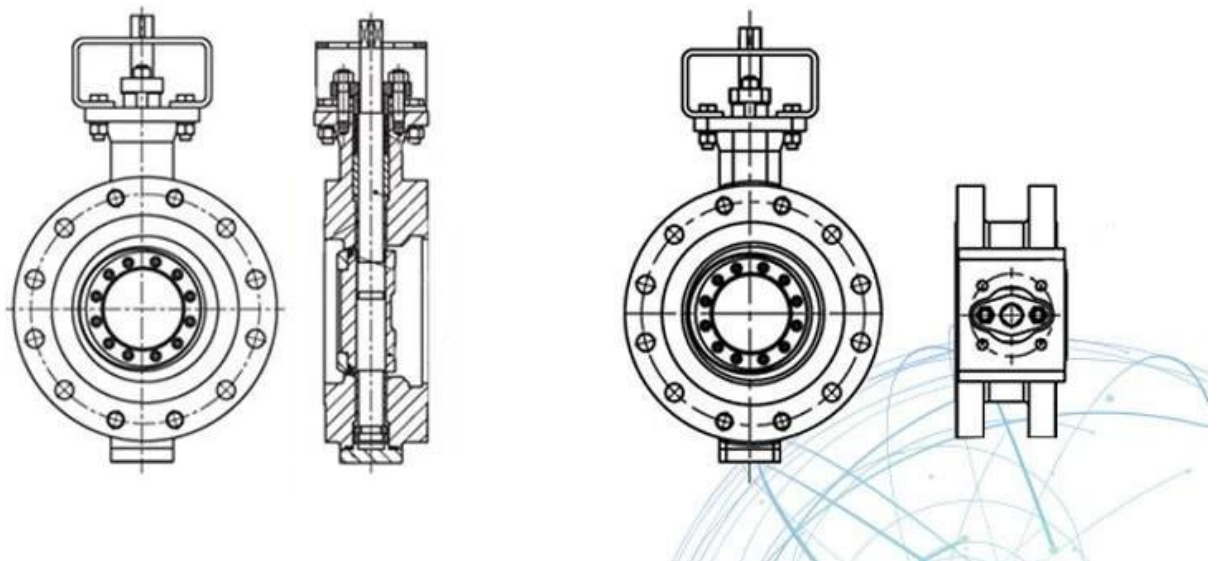


## DESIGN FEATURES



# APPLICATION SCENARIO



Industrial water application



Power plant



Petroleum



Nuclear plant



Hydroelectric power



Marine operation



Healing drugs



Refined coal



## Our Factory



# Company Advantages



i. 21 years of professional experience

ii. CNC manufacturing capabilities

iii. Independent R&D team

iv. 100% high level ex-factory inspection

v. GB standards, TUV CE, ISO 9001, ADWO-2000, TS, PED, WRC, WRAS, KTW, KTW, API 6D, API 609

## Exhibition Photos



## Our Certificates



