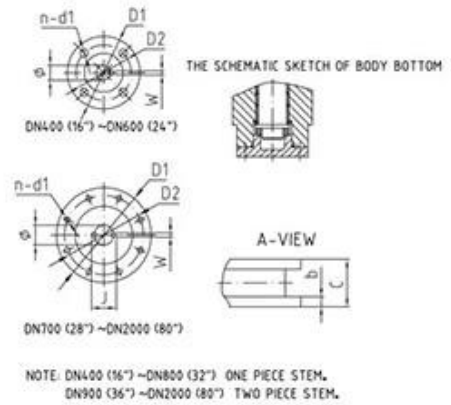
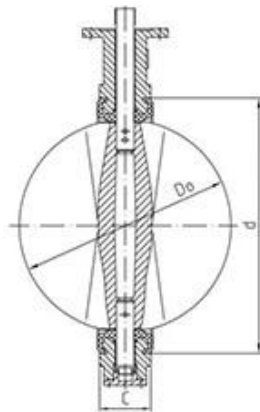
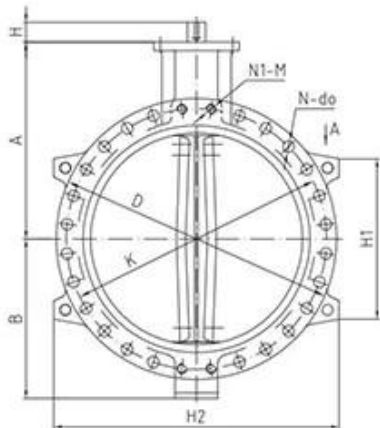


EN558-1 20

	CI DI WCB ALB CF8 CF8M
	DI WCB ALB CF8 CF8M Monel
	SS416 SS420 SS431, 17-4PH
	NBR EPDM Viton PTFE
	SS416 SS420 SS431, 17-4PH

- 1.
- 2.
- 3.

HAVC



NOTE: DN400 (16") ~ DN800 (32") ONE PIECE STEM.
DN900 (36") ~ DN2000 (80") TWO PIECE STEM.

APPLICATION SCENARIO



Industrial water application



Power plant



Sea water desalination



Water treatment



Water supply and drainage



HAVC



Food and drug



Water transport



COMPANY INFORMATION



i 工厂

ii CNC 工厂

iii 工厂

iv 工厂

v GB 工厂 TUV CE ISO 9001 ADWO-2000 TS PED WRC WRAS KTW KTW API 6D API609

VI 工厂 工厂 / 工厂 / 工厂



01

21 years of professional experience

03

Independent research and development team
28 top senior professional researchers

05

100% high level ex-factory inspection

07

2 years quality assurance, repair and replacement

4 factories

02

2 professional testing centers

04

High quality imported materials

06

COMPANY QUALIFICATION



COMPANY EXHIBITION



Partners



□□□□

□□□□□□□□□□□□□□□□

□□□□□□□□□□□□□□□□

□□□□□□□□□□□□

□□□□□□□hrdraulic□□□□□RKSfluid□□□□□□□□□□□□□□□□

□□□□□□□□□□

□□RKSfluid□□□□□□□□□□□□

□□□□□□□□

□□□□□□□2□5□□□□□□□□□□□□□□□□□□□□□□□□

□□□

□□□□□□□1□□

□□□□□□□□□□

□□□□□100□□□□□□□2□□□□□□□□□□□□□□□□

□□□□□TUV□API□WRAS□CE□ISO□□□□

□□□□□DIN□ASME□BS EN□JIS□API□AWWA□

□□□□□□□□□□□□□□□□

