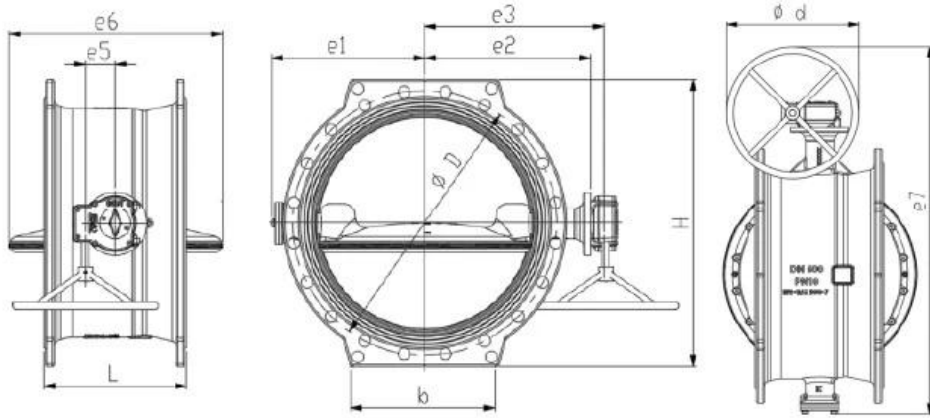


1. ATHENA 24" 13" 14"



1. 24"
2. 13" 14"

1	DN200-DN1800
2	PN10 PN16 PN25 PN40
3	13" 14"
4	-10°C - 60°C
5	EN 593 EN1074-1/2
6	EN558 13 14
7	13" 14"

# APPLICATION SCENARIO



Industrial water application



Power plant



Sea water desalination



Water treatment



Water supply and drainage



HAVC



Food and drug



Water transport





# COMPANY FACTORY



# COMPANY INFORMATION



I 公司总部及生产基地

II 公司研发中心

III 公司营销中心

IV 公司售后服务部

V 公司质量管理体系 TUV CE ISO 9001 ADWO-2000 TS PED WRC WRAS KTW API 6D API609

公司主要产品 碳钢/不锈钢/合金钢/有色金属/复合材料/塑料/橡胶/陶瓷/玻璃/木材/石材/金属/非金属/其他材料



01

21 years of professional experience

03

Independent research and development team  
28 top senior professional researchers

05

100% high level ex-factory inspection

07

2 years quality assurance, repair and replacement

4 factories

02

2 professional testing centers

04

High quality imported materials

06

# COMPANY QUALIFICATION



## COMPANY EXHIBITION



## Partners





