

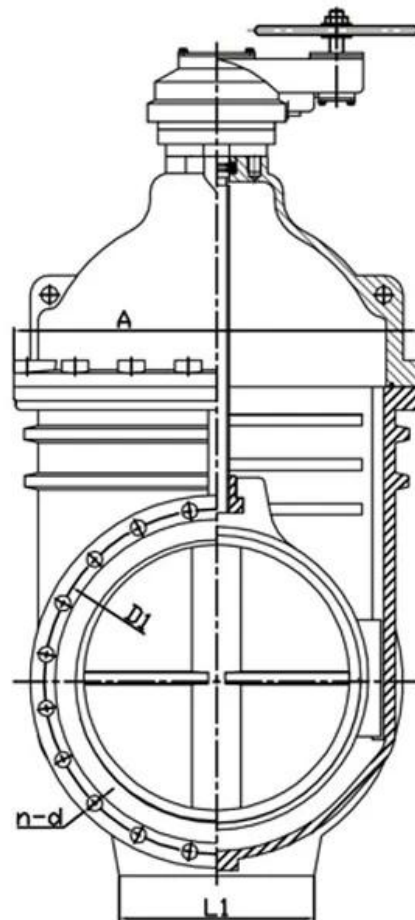
DESIGN FEATURES

TECHNICAL REQUIREMENT

- 1.Design standard:BS 5163.
- 2.Face to face:BS 5163.
- 3.Flanges standard:BS EN1092-2:1997 PN16.
- 4.Test standard:BS EN12266-1 Rate B.

FEATURES

- Double flange metal seated gate valve
- Size Range:DN50-DN2000
- Standard-ISO/BS/DIN/AWWA/API
- Tests Standard-BS EN 12266-1
- Body Ring-Bronze/SS420/SS304/SS316
- Body-Ductile Iron /Cast Iron/Stainless Steel /WCB
- Fusion bonded epoxy coating-min 300 microns



RELATED PRODUCTS



SMALL DIAMETER GATE VALVE
DN50-DN300,PN10/16/25



METAL SEATED GATE VALVE
DN350-DN600,PN10/16/25



LARGE DIAMETER
METAL SEATED GATE VALVE
DN700-DN2000,PN10/16/25

APPLICATION SCENARIO



Industrial water application



Power plant



Sea water desalination



Water treatment



Water supply and drainage



HAVC

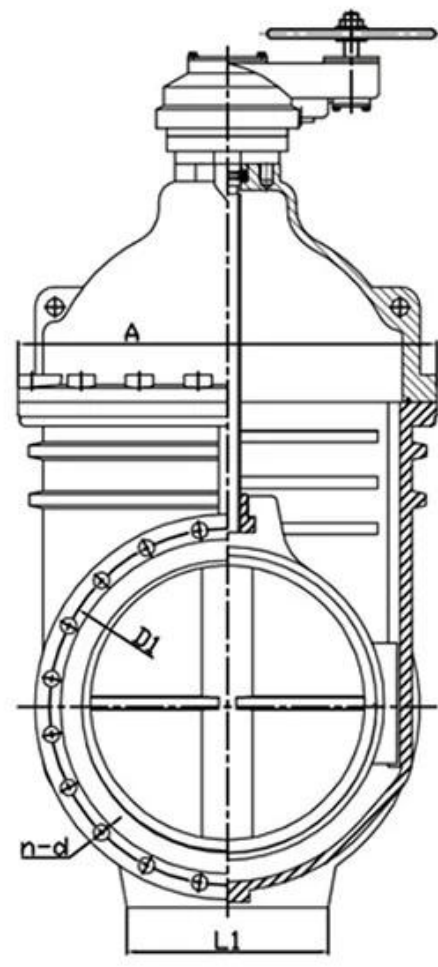
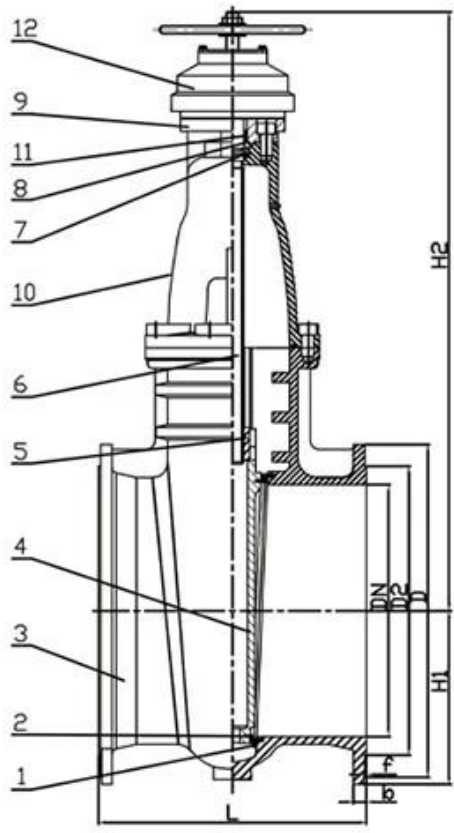


Food and drug



Water transport





RELATED PRODUCTS



SMALL DIAMETER GATE VALVE
DN50-DN300,PN10/16/25



METAL SEATED GATE VALVE
DN350-DN600,PN10/16/25



LARGE DIAMETER METAL SEATED GATE VALVE
DN700-DN2000,PN10/16/25

COMPANY INFORMATION



i 工厂环境管理体系认证

ii CNC 加工中心精度认证

iii 质量管理体系认证

iv 环境管理体系认证

v 符合 GB 标准，通过 TUV CE、ISO 9001、ADWO-2000、TS、PED、WRC、WRAS、KTW、KTW、API 6D、API609 认证

vi 符合 ISO 14001 标准 / 符合 ISO 45001 标准

01

21 years of professional experience

03

Independent research and development team
28 top senior professional researchers

05

100% high level ex-factory inspection

07

2 years quality assurance, repair and replacement

4 factories

02

2 professional testing centers

04

High quality imported materials

06

COMPANY QUALIFICATION



