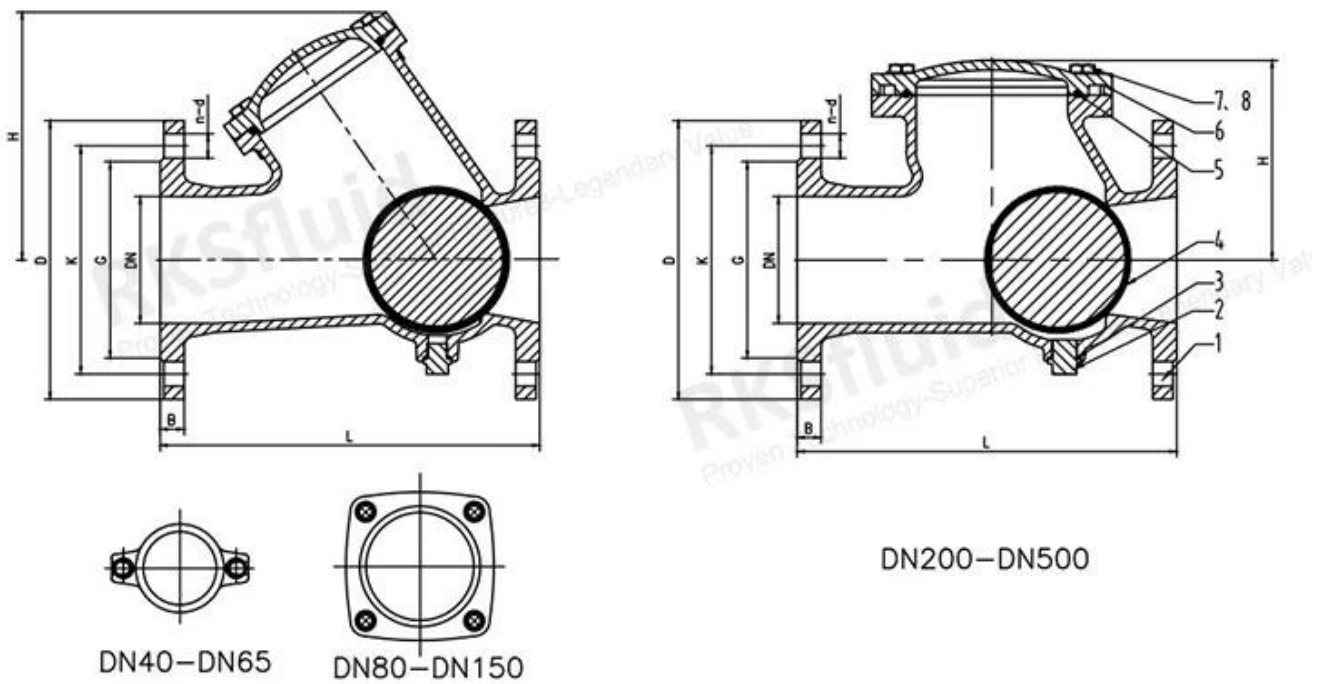


RKSfluid

DIN3202-F6

RKSfluid



1		
2		AISI304
3	O	nbr
4		+NBR
5	O	nbr
6		
7		AISI304
8		AISI304

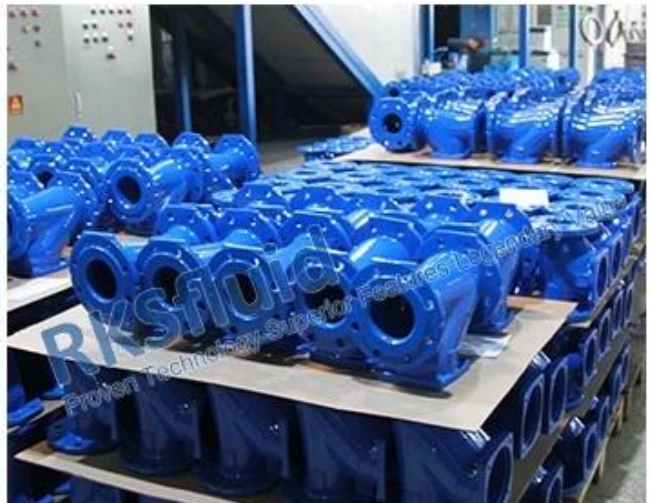
RKSfluid

iv

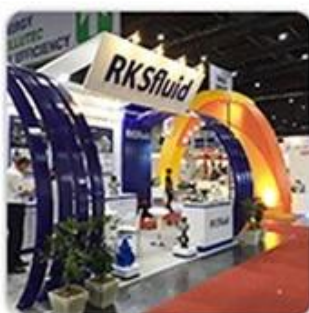
v GB TUV CE ISO 9001 ADWO-2000 TS PED WRC WRAS KTW KTW API 6D API609

VI / /

COMPANY FACTORY



COMPANY EXHIBITION



COMPANY QUALIFICATION



Partners



