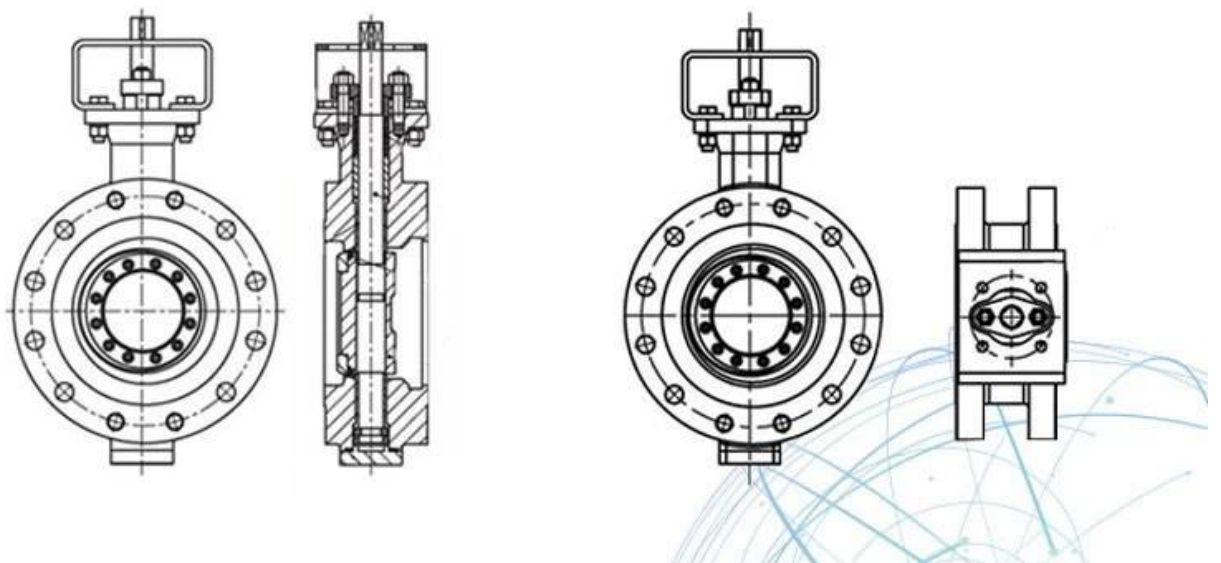


DESIGN FEATURES



APPLICATION SCENARIO



Industrial water application



Power plant



Petroleum



Nuclear plant



Hydroelectric power



Marine operation



Healing drugs



Refined coal



Our Factory



Company Advantages



i 工厂拥有先进的生产设备

ii 工厂拥有先进的CNC加工设备

iii 工厂拥有先进的检测设备

iv 工厂拥有先进的质量管理体系

v 工厂拥有GB、ISO 9001、ADWO-2000、TS、PED、WRC、WRAS、KTW、KTW、API 6D、API609等认证

Exhibition Photos



Our Certificates



Hydraulic
RKSfluid

Hydraulic
RKSfluid

RKSfluid

25

1

100 2
TUV API WRAS CE ISO
DIN ASME BS EN JIS API AWWA

RKSfluid 20 70