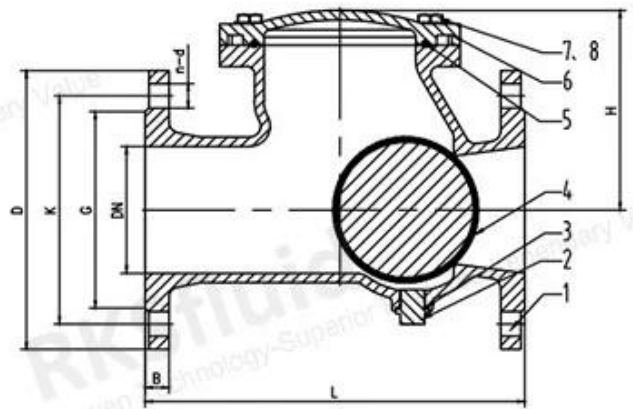
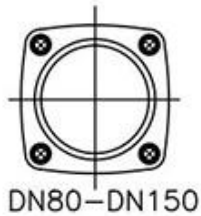
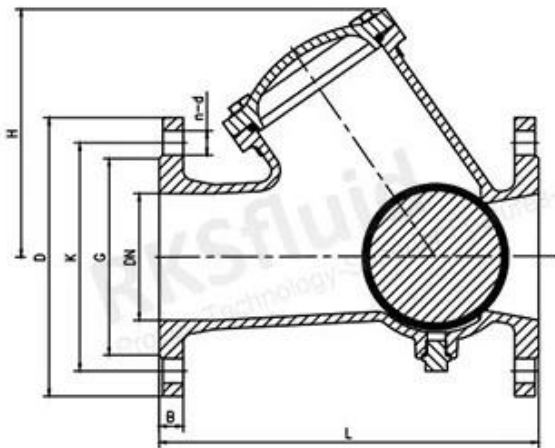


RKSfluid

EN 1171	EN 1092-2
DIN 12266-1	
0-80°C	
11/18	
15/24	
PN10/16	
DN40-DN500	



DN200-DN500



# COMPANY FACTORY



# SHIPPING PACKAGING



01

21 years of professional experience

03

Independent research and development team  
28 top senior professional researchers

05

100% high level ex-factory inspection

07

2 years quality assurance, repair and replacement

4 factories

02

2 professional testing centers

04

High quality imported materials

06

# COMPANY QUALIFICATION



## COMPANY EXHIBITION



## Partners



Delivery



Payment



□□□□

□: □□□□□□□□□□□□□□□□  
□□□□"□□□□□□□□□□□□□□□□

□: □□□□□□□□□□□□□□□□  
□□□□□□□□□□□□□□□□ RKSfluid □□□□□□□□□□□□□□□□□□□□

□: □□□□□□□□□□  
A□ RKSfluid □□□□□□□□□□□□□□□□

□□□□□□  
A□ □□□□ 2~5 □□□□□□□□□□□□□□□□

□: □□□□□  
□: □□□□ 1 □□

□: □□□□□□□□  
□: □□□ 100% □□□□□2 □□□□□□□□□□□□□□□□  
□□□□□ TUV□API□WRAS□CE□ISO □□□□  
□□□□□ DIN□ASME□BS EN□JIS□API□AWWA□

□: □□□□□□□□□□□□□□□□□□□□  
A□ RKSfluid □□20□□□□70□□□□□□□□□□□□□□□□□□□□□□□□□□