

DESIGN FEATURES



DURABLE :

- 1 piece non-welded PFA molded DSS Disc stem
- Precision casting WCB/CF8M Bodies

TRIPLE SEAL:

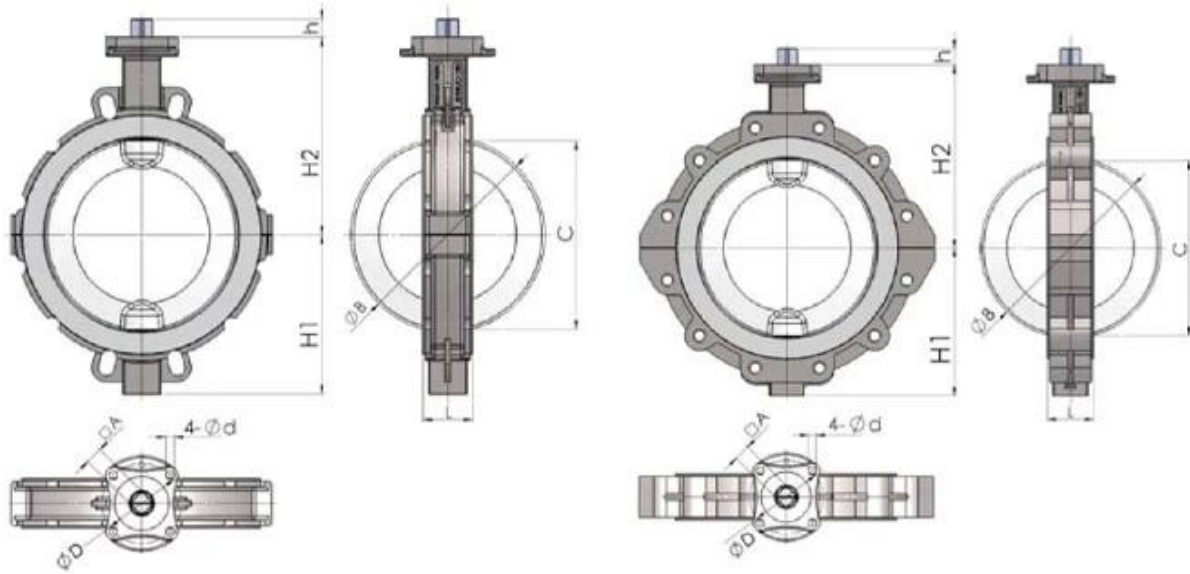
- Triple Seal:Spring loaded Mechanical seal,Radial Lip Seal,FPM
- China ONLY ONE Manufacturer 400Mpa Iso-static pressing PTFE seat,consistent density

ANTI-CORROSION:

- Material: Epoxy powder
- Coating Thickness:200-250 μ m
- Spraying temp: over 200 $^{\circ}$ C. Doesn't fade, even wipe with diethyl ether

QUALITY STANDARD

- 100% quality test, follow DIN, ASTM, JIS, GB/T, ISO, BS EN, API
- ONLY ONE Manufacturer get CE certification up to DN1800
- 2 years warranty.15000 times On off test,30000 times Destructive experiment



Wafer

Lug

IMPERIAL DIMENSIONS:Inches

Size	L	H1	H2	h	A	B	C	D	d	ISO5211
NPS2	1.69	2.20	5.31	0.47	0.43	2.01	1.08	1.97	0.28	F05
NPS2 1/2	1.81	3.35	5.91	0.47	0.43	2.72	1.99	1.97	0.28	F05
NPS3	1.81	3.74	6.30	0.63	0.55	3.27	2.70	2.76	0.35	F07
NPS4	2.05	4.13	7.09	0.63	0.55	4.06	3.50	2.76	0.35	F07
NPS5	2.20	4.92	7.68	0.63	0.55	5.00	4.49	2.76	0.35	F07
NPS6	2.20	5.71	10.04	0.63	0.55	5.98	5.57	2.76	0.35	F07
NPS8	2.36	6.69	9.45	0.83	0.75	7.99	7.64	4.02	0.47	F10
NPS10	2.68	8.07	11.81	0.94	0.87	10.00	9.65	4.92	0.51	F12
NPS12	3.07	9.84	12.20	1.14	1.06	12.01	11.61	4.92	0.51	F12

APPLICATION SCENARIO



Industrial water application



Power plant



Sea water desalination



Water treatment



Water supply and drainage



HAVC



Food and drug



Water transport





COMPANY INFORMATION



i. 公司基本情况

ii. CNC 加工

iii. 质量管理体系

iv. 生产能力和设备

v. 认证：GB、TUV CE、ISO 9001、ADWO-2000、TS、PED、WRC WRAS、KTW、KTW、API 6D、API609

vi. 服务网络：/ 地区 / 服务网络

01

21 years of professional experience

03

Independent research and development team
28 top senior professional researchers

05

100% high level ex-factory inspection

07

2 years quality assurance, repair and replacement

4 factories

02

2 professional testing centers

04

High quality imported materials

06

COMPANY QUALIFICATION



COMPANY EXHIBITION



