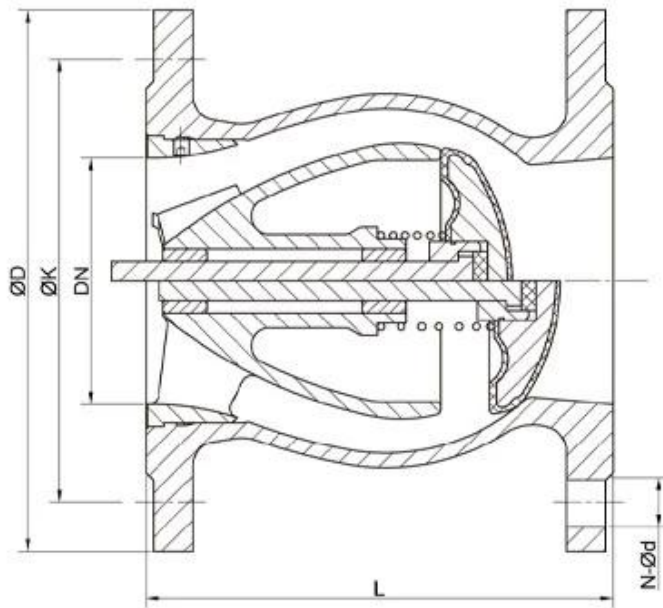
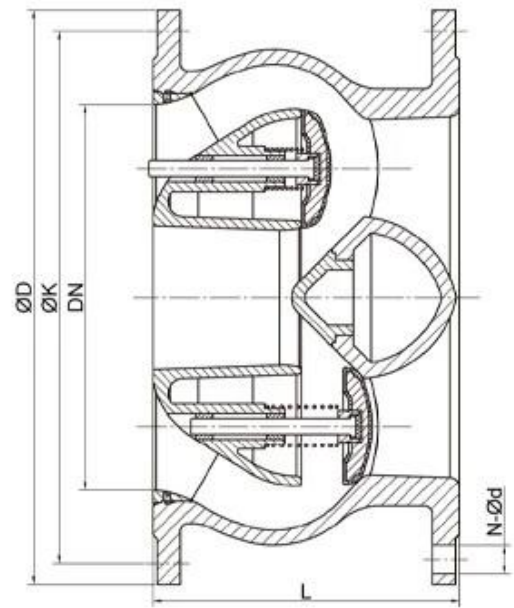




- Streamlined, minimum noise
- Backflow velocity only 0.2s, Head loss 0.1bar with 2m/s
- EPDM/NBR Rubber fully coated disc
- Anti-erosion design, Self-adjusting ball
- Self-cleaning stem, Long time smooth operation



NPS2-NPS14 (DN50-DN350)



NPS16-NPS24 (DN400-DN600)

Name	Material
Body	DIN EN 1563-GJS-500-7
Disc	DIN EN 1563-GJS-500-7+EPDM
Spring	AISI 304
O-ring	NBR
Stem	AISI 304
Washer	EPDM
Nut	AISI 304
Bushes	ASTM B150-B150M C61900
Flow Guide	DIN EN1563-GJS-500-7
Screw	A2

Specification

Size	NPS2-NPS24(DN50-DN600)
Pressure	PN10 PN16 PN25
Medium	Fresh water
Temperature	0°C~70°C

Engineering Projects



Partners



Company Advantages

01

21 years of professional experience

03

Independent research and development team
28 top senior professional researchers

05

100% high level ex-factory inspection

07

2 years quality assurance, repair and replacement

4 factories

02

2 professional testing centers

04

High quality imported materials

06

COMPANY INFORMATION



i. 100% 100% 100% 100% 100% 100%

ii. CNC 100% 100% 100% 100% 100% 100%

iii. 100% 100% 100% 100% 100% 100%

iv. 100% 100% 100% 100% 100% 100%

v. GB 100% 100% 100% TUV CE ISO 9001 ADWO-2000 TS PED WRC WRAS KTW KTW API 6D API609

vi. 100% 100% 100% 100% 100% 100% / 100% / 100% 100%

Exhibition Photos



Our Certificates



□□□□

□□□□□□□□□□□□□□□□□□□□

□□□□□□□□□□□□□□□□□□□□

