

**RKSfluid®**



RKSfluid®



**RKSfluid®**



**RKSfluid®**




## DESIGN FEATURES

### DURABLE

- No-pin connection, 1 pc blow-out proof stem
- DI/CI Nodularity over 95%

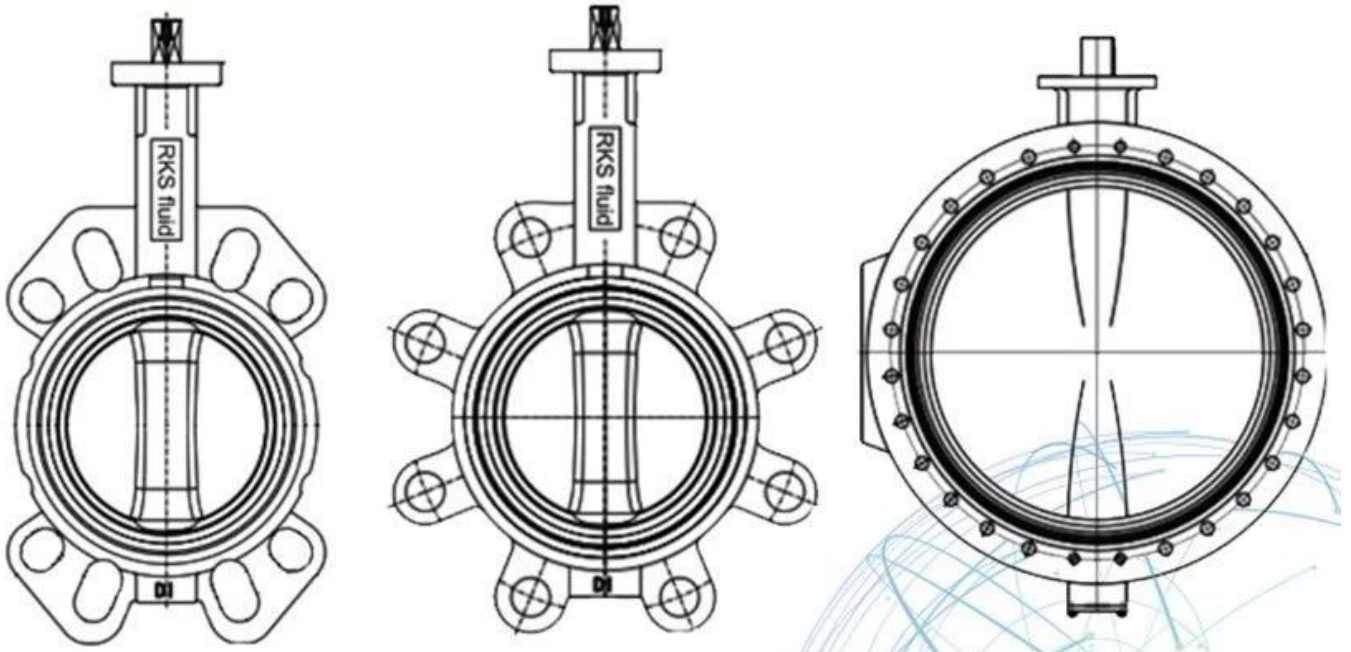
### ANTI-CORROSION

- Material: Epoxy powder:  , Earth Best!
- Coating Thickness: 200-250µm
- Spraying temp: over 200°C. Doesn't fade, even wipe with diethyl ether

### QUALITY STANDARD

- 100% quality test, follow DIN, ASTM, JIS, GB/T, ISO, BS EN, API
- ONLY ONE Manufacturer get CE certification up to DN1800
- 2 years warranty. 15000 times On-off test, 30000 times Destructive experiment





## APPLICATION SCENARIO



Industrial water application



Power plant



Sea water desalination



Water treatment



Water supply and drainage



HAVC



Food and drug



Water transport



# Our Factory



RKSfluid 1997  
CNC  
RKS  
GB ISO TUV CE ADWO- 2000  
ISO9001 TS API  
“

II CNC

III

IV

V GB TUV CE ISO 9001 ADWO-2000 TS PED WRC

