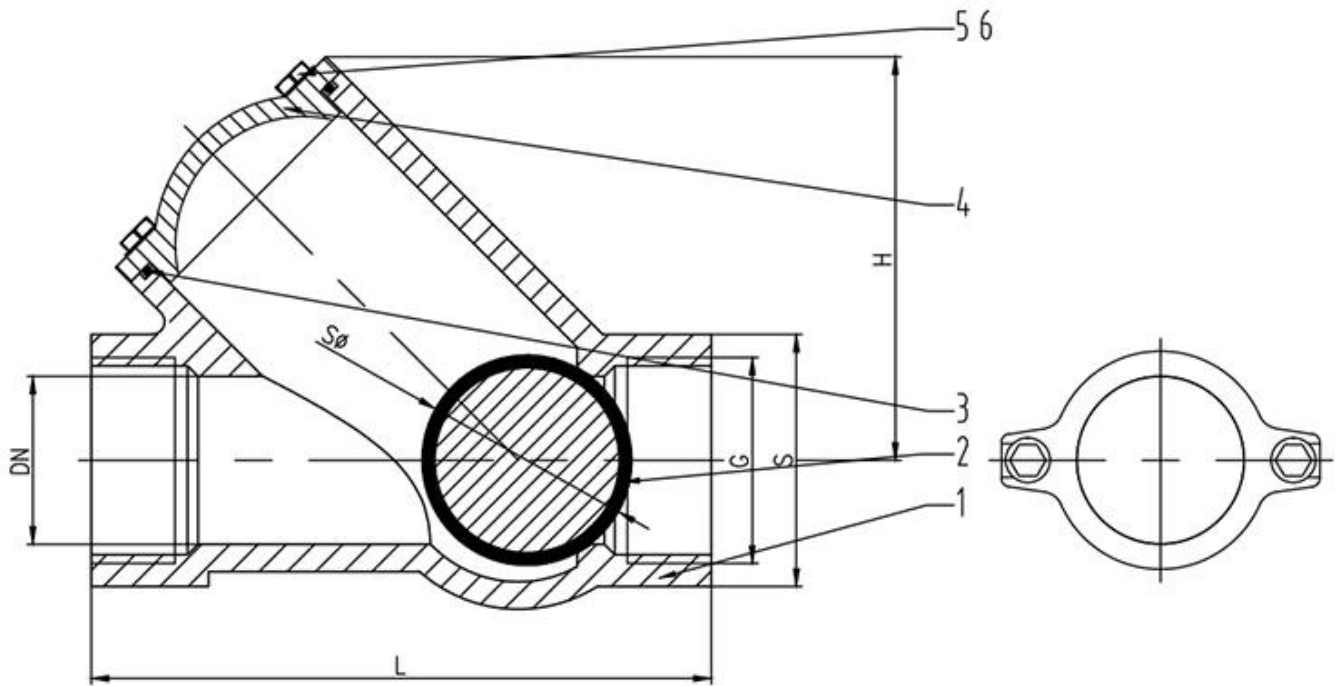


RKSfluid

DN25-80
 DIN3202-F6
 $1.1 \times P_n$
 WRA
 $0^\circ\text{C} - 80^\circ\text{C}$
 100

5 6



DN	DN
L	L
S	$S + nbr$
S_0	nbr
G	G
H	H
Material	AISI304

COMPANY INFORMATION



i 000000000000000000000000

ii 00CNC000000000000000000000000

iii 000000000000000000000000

iv 000000000000000000000000

v 000000GB000000000000TUV CE00ISO 900100ADWO-200000TS00PED00WRC WRAS00KTW00KTW00API 6D00API60900

VI 0000000000000000000000000000 /00 /000000000000

COMPANY FACTORY



01

21 years of professional experience

03

Independent research and development team
28 top senior professional researchers

05

100% high level ex-factory inspection

07

2 years quality assurance, repair and replacement

4 factories

02

2 professional testing centers

04

High quality imported materials

06

COMPANY QUALIFICATION



COMPANY EXHIBITION



Partners



Delivery



Payment



□□□□

□□□□□□□□□□□□□□□□
□□□□□□□□□□□□□□□□

□□□□□□□□□□□□□□
□□□□□□□hrdraulic□□□□□RKSfluid□□□□□□□□□□□□□□□□

□□□□□□□□□□
□□RKSfluid□□□□□□□□□□□□□□

□□□□□□□□
□□□□□□□2□5□□□□□□□□□□□□□□□□□□□□□□□□

□□□□
□□□□□□□1□□

□□□□□□□□□□
□□□□□100□□□□□□□2□□□□□□□□□□□□□□□□□□
□□□□□TUV□API□WRAS□CE□ISO□□□□
□□□□□DIN□ASME□BS EN□JIS□API□AWWA□

□□□□□□□□□□□□□□□□□□
□□RKSfluid□□20□□□□□□□□70□□□□□□□□□□□□□□□□□□□□□□□□