

## DESIGN FEATURES

### DURABLE

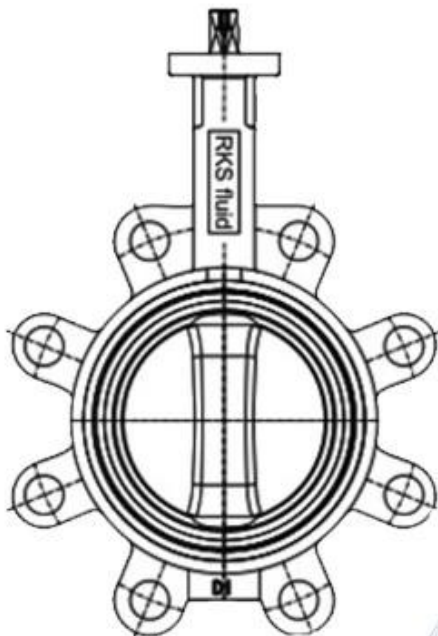
- No-pin connection, 1 pc blow-out proof stem
- DI/CI Nodularity over 95%

### ANTI-CORROSION

- Material: Epoxy powder:  , Earth Best!
- Coating Thickness: 200-250µm
- Spraying temp: over 200°C. Doesn't fade, even wipe with diethyl ether

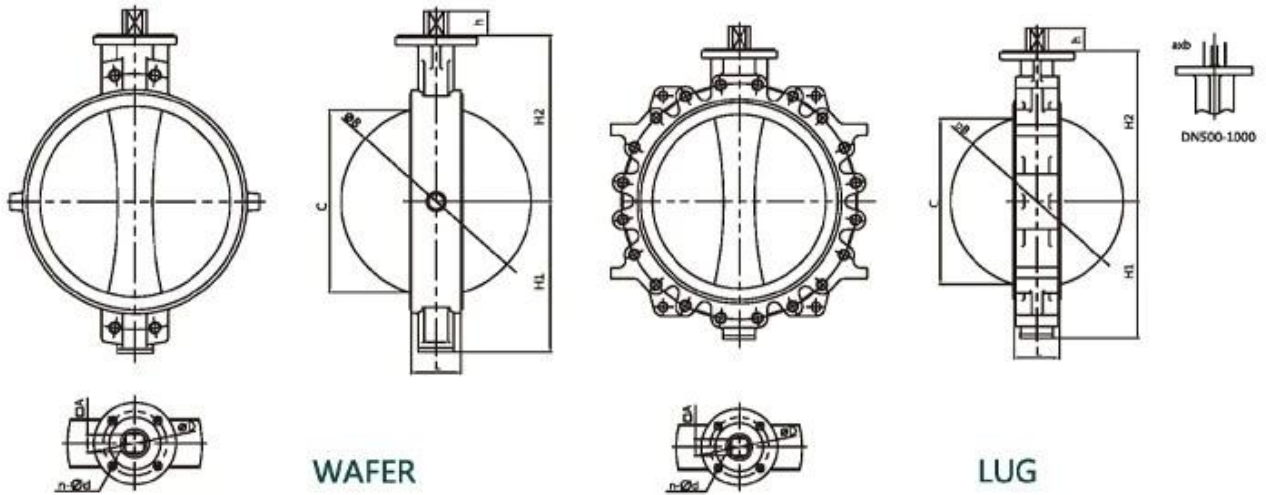
### QUALITY STANDARD

- 100% quality test, follow DIN, ASTM, JIS, GB/T, ISO, BS EN, API
- ONLY ONE Manufacturer get CE certification up to DN1800
- 2 years warranty. 15000 times On-off test, 30000 times Destructive experiment



|      |                                |
|------|--------------------------------|
| □□   | DN32 -DN2400 □NPS1 1/4 -NPS96□ |
| □□□□ | PN6 -PN10 -PN16□□150□          |
| □□□□ | -40°C-+120°C                   |

|      |                       |
|------|-----------------------|
| □□   | □□□□□□□□              |
| □□□□ | NBR□EPDM□□□□□□□□Viton |
| □□   | □□□□□□U□□□□□□         |



WAFER

LUG

**NPS14-NPS40 Wafer/Lug with alignment holes**

| Size  | L    | H1    | H2    | h    | A    | ΦB     | C     | ΦG    | a    | b    | ΦD     | n-Φd    | IS05211 |
|-------|------|-------|-------|------|------|--------|-------|-------|------|------|--------|---------|---------|
| NPS14 | 3.07 | 10.63 | 11.81 | 1.42 | 1.06 | Φ13.31 | 12.95 | -     | -    | -    | Φ4.92  | 4-Φ0.55 | F12     |
| NPS16 | 4.02 | 11.81 | 13.58 | 1.69 | 1.26 | Φ15.35 | 14.80 | -     | -    | -    | Φ5.50  | 4-Φ0.71 | F14     |
| NPS18 | 4.49 | 12.99 | 14.76 | 1.93 | 4.42 | Φ17.20 | 16.61 | -     | -    | -    | Φ5.50  | 4-Φ0.71 | F14     |
| NPS20 | 5.00 | 15.16 | 16.73 | 2.56 | -    | Φ19.09 | 18.43 | Φ2.36 | 0.71 | 2.52 | Φ6.50  | 4-Φ0.87 | F16     |
| NPS24 | 6.06 | 17.24 | 19.49 | 2.76 | -    | Φ23.03 | 22.24 | Φ2.36 | 0.71 | 2.52 | Φ6.50  | 4-Φ0.87 | F16     |
| NPS28 | 6.50 | 20.39 | 22.44 | 3.15 | -    | Φ26.77 | 25.98 | Φ2.76 | 0.79 | 2.93 | Φ10.00 | 8-Φ0.71 | F25     |
| NPS30 | 6.50 | 21.46 | 24.02 | 3.15 | -    | Φ28.74 | 27.95 | Φ2.76 | 0.79 | 2.93 | Φ10.00 | 8-Φ0.71 | F25     |
| NPS32 | 7.48 | 22.32 | 25.20 | 3.15 | -    | Φ30.43 | 29.49 | Φ2.76 | 0.79 | 2.93 | Φ10.00 | 8-Φ0.71 | F25     |
| NPS36 | 7.99 | 25.59 | 27.56 | 3.94 | -    | Φ34.49 | 33.54 | Φ3.15 | 0.87 | 3.35 | Φ10.00 | 8-Φ0.71 | F25     |
| NPS40 | 8.50 | 28.15 | 29.53 | 3.94 | -    | Φ38.43 | 37.48 | Φ3.15 | 0.87 | 3.35 | Φ11.73 | 8-Φ0.87 | F30     |

# APPLICATION SCENARIO



Industrial water application



Power plant



Sea water desalination



Water treatment



Water supply and drainage



HAVC



Food and drug



Water transport





# COMPANY INFORMATION



i. 公司基本情况

ii. CNC 加工

iii. 质量管理体系

iv. 生产能力和设备

v. 符合 GB、TUV CE、ISO 9001、ADWO-2000、TS、PED、WRC WRAS、KTW、KTW、API 6D、API609 等标准

vi. 公司网站 [www.123.com](#) / 电话 / 地址





01

21 years of professional experience

03

Independent research and development team  
28 top senior professional researchers

05

100% high level ex-factory inspection

07

2 years quality assurance, repair and replacement

4 factories

02

2 professional testing centers

04

High quality imported materials

06

## COMPANY QUALIFICATION



## COMPANY EXHIBITION









