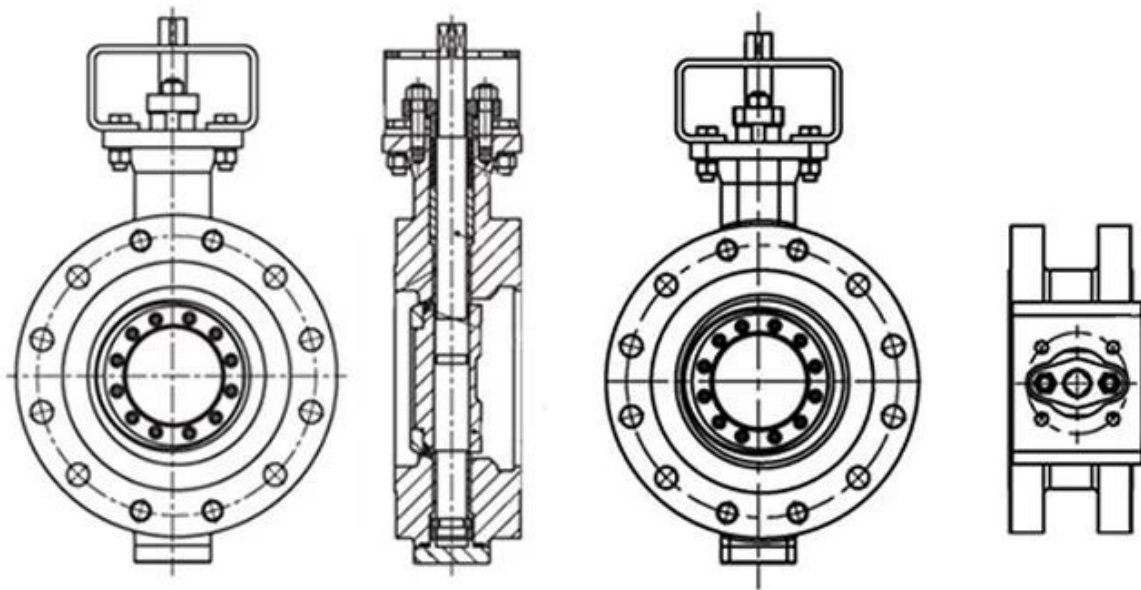


## DESIGN FEATURES



1. Elastic stainless steel sealing ring, "0" leakage
2. Fireproof structural design, blow-out proof stems
3. Auto welding plasma powder surfacing valve seat
4. Hollow design, reduces flow resistance
5. Interchangeable DSS entity seal / multiple-piece
6. stainless and graphite seal
7. ISO5211 Mounting platform, simple connection



# APPLICATION SCENARIO



Industrial water application



Power plant



Sea water desalination



Water treatment



Water supply and drainage



HAVC



Food and drug



Water transport



# COMPANY INFORMATION



i 工厂

ii CNC 工厂

iii 工厂

iv 工厂

v 工厂 GB 工厂 TUV CE ISO 9001 ADWO-2000 TS PED WRC WRAS KTW KTW API 6D API609

VI 工厂 / 工厂 / 工厂

01

21 years of professional experience

03

Independent research and development team  
28 top senior professional researchers

05

100% high level ex-factory inspection

07

2 years quality assurance, repair and replacement

4 factories

02

2 professional testing centers

04

High quality imported materials

06

## COMPANY QUALIFICATION



## COMPANY EXHIBITION



