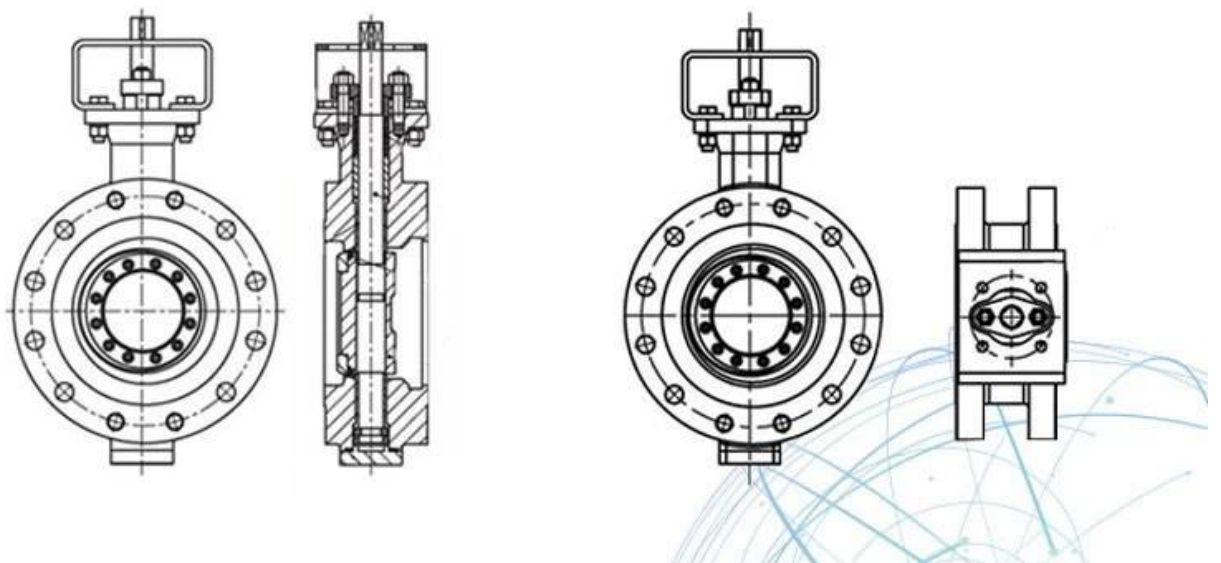


DESIGN FEATURES



APPLICATION SCENARIO



Industrial water application



Power plant



Petroleum



Nuclear plant



Hydroelectric power



Marine operation



Healing drugs



Refined coal



Our Factory



Company Advantages



i. 21 years of professional experience

ii. CNC manufacturing capabilities

iii. Independent R&D team

iv. 100% high level ex-factory inspection

v. GB standards, TUV CE, ISO 9001, ADWO-2000, TS, PED, WRC, WRAS, KTW, KTW, API 6D, API 609

Exhibition Photos



Our Certificates



□□□□□□□□□□□□□□□□
□□□□□□□□□□□□□□□□

□□□□□□□□□□□□□□□□
□□□□□□□hrdraulic□□□□□ RKSfluid□□□□□□□□□□□□□□□□

□□□□□□□□□□□□
□□RKSfluid□□□□□□□□□□□□

□□□□□□□□
□□□□□□□2□5□□□□□□□□□□□□□□□□□□□□□□

□□□
□□□□□□□1□□

□□□□□□□□□□□□
□□□□□100□□□□□□2□□□□□□□□□□□□□□□□□
□□□□□TUV□API□WRAS□CE□ISO□□□□
□□□□□DIN□ASME□BS EN□JIS□API□AWWA□

□□□□□□□□□□□□□□□□□□
□□RKSfluid□□20□□□□□□□□70□□□□□□□□□□□□□□□□□□□□□□