



- Streamlined, minimum noise
- Backflow velocity only 0.2s, Head loss 0.1bar with 2m/s
- EPDM/NBR Rubber fully coated disc
- Anti-erosion design, Self-adjusting ball
- Self-cleaning stem, Long time smooth operation

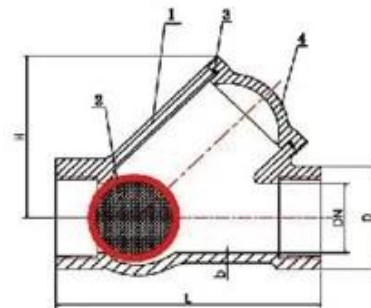
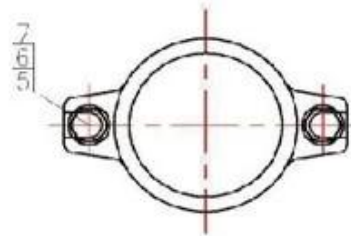
## Engineering Projects

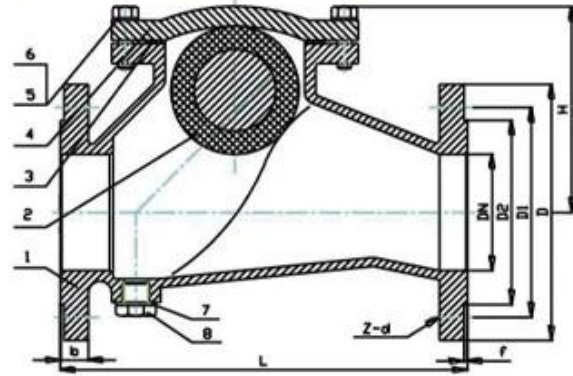




Name	Material
Body	Ductile iron
Ball	NBR
O-Ring	NBR
Cover	Ductile iron
Gasket	SS304
Washer	SS304
Nut	SS304

Ball Check Valve, Threaded





### Ball Check Valve, Flange

Name	Material
Body	Ductile iron
Ball	NBR
Gasket	NBR
Body	Ductile iron
Bolt	SS304
Washer	SS304
Washer	Nylon
Plug	SS304

# COMPANY INFORMATION



i. 公司基本情况

ii. CNC 加工中心

iii. 质量管理体系

iv. 生产能力和产能

v. 符合 GB、TUV CE、ISO 9001、ADWO-2000、TS、PED、WRC WRAS、KTW、KTW、API 6D、API609

vi. 公司主要客户 / 行业 / 应用领域



01

21 years of professional experience

03

Independent research and development team  
28 top senior professional researchers

05

100% high level ex-factory inspection

07

2 years quality assurance, repair and replacement

4 factories

02

2 professional testing centers

04

High quality imported materials

06

# COMPANY QUALIFICATION



## COMPANY EXHIBITION



## Partners





Delivery



Payment



□□□□

□□□□□□□□□□□□□□□□  
□□□□□□□□□□□□□□□□

□□□□□□□□□□□□□□  
□□□□□□□hrdraulic□□□□□RKSfluid□□□□□□□□□□□□□□□□

□□□□□□□□□□  
□□RKSfluid□□□□□□□□□□□□

□□□□□□□□  
□□□□□□□2□5□□□□□□□□□□□□□□□□□□□□□□□□

□□□□  
□□□□□□□1□□

□□□□□□□□□□  
□□□□□100□□□□□□□2□□□□□□□□□□□□□□□□□□  
□□□□□TUV□API□WRAS□CE□ISO□□□□  
□□□□□DIN□ASME□BS EN□JIS□API□AWWA□

□□□□□□□□□□□□□□□□  
□□RKSfluid□□20□□□□□□□□70□□□□□□□□□□□□□□□□□□□□□□