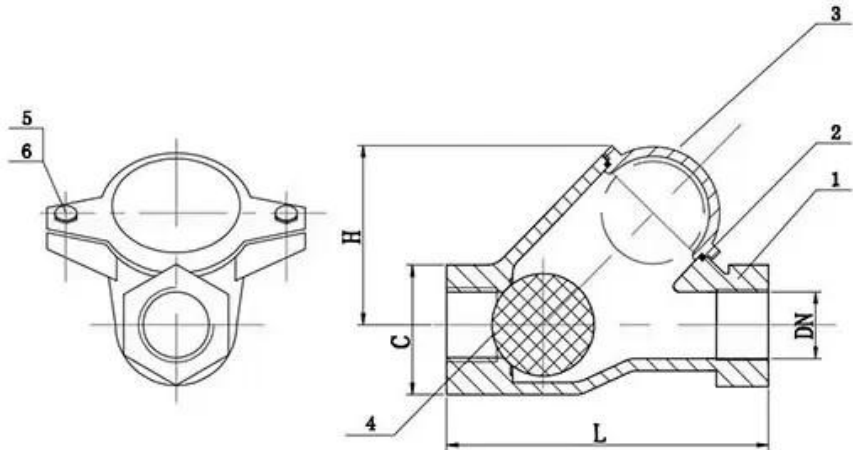


0-80°C

PN10/PN16

EN 1171
EN 1092-2
DIN 12266-1
0-80°C
11/18
15/24
PN10/16
DN40-DN500



1	GGG25/GGG40
2	
3	GGG25/GGG40
4	
5	
6	

25	32	40	50	65	80
125	132	145	174	200	243
75	75	85	126	113	165

COMPANY FACTORY



SHIPPING PACKAGING



01

21 years of professional experience

03

Independent research and development team
28 top senior professional researchers

05

100% high level ex-factory inspection

07

2 years quality assurance, repair and replacement

4 factories

02

2 professional testing centers

04

High quality imported materials

06

COMPANY QUALIFICATION



COMPANY EXHIBITION



Partners



Delivery



Payment



□□□□

□: □□□□□□□□□□□□□□□□
□□□□"□□□□□□□□□□□□□□□□

□: □□□□□□□□□□□□□□□□
□□□□□□□□□□□□□□□□ RKSfluid □□□□□□□□□□□□□□□□□□□□

□: □□□□□□□□□□
A□ RKSfluid □□□□□□□□□□□□□□□□

□□□□□□
A□ □□□□ 2~5 □□□□□□□□□□□□□□□□

□: □□□□□
□: □□□□ 1 □□

□: □□□□□□□□
□: □□□ 100% □□□□□2 □□□□□□□□□□□□□□□□
□□□□□ TUV□API□WRAS□CE□ISO □□□□
□□□□□ DIN□ASME□BS EN□JIS□API□AWWA□

□: □□□□□□□□□□□□□□□□□□□□
A□ RKSfluid □□20□□□□70□□□□□□□□□□□□□□□□□□□□□□□□□□□□