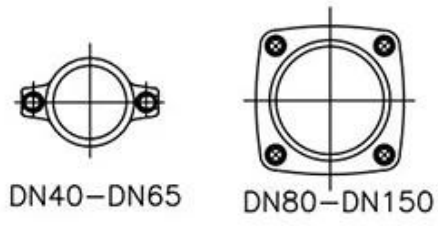
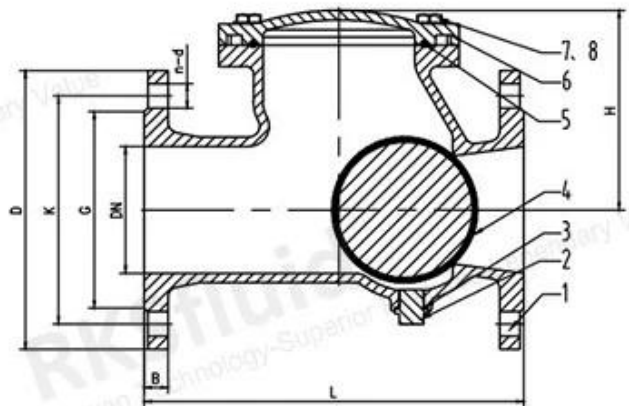
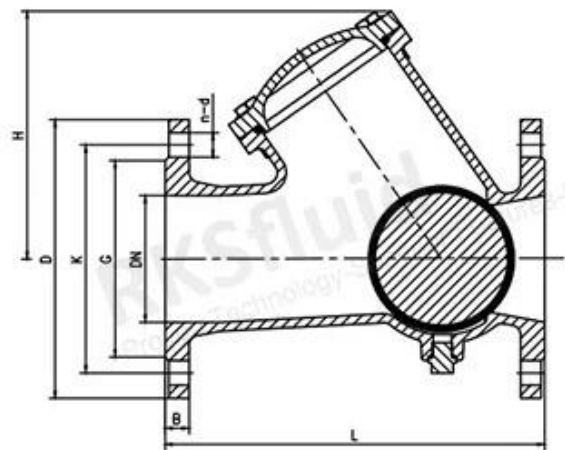


RKSfluid

EN 1171	
EN 1092-2	
DIN 12266-1	
0-80°C	
11/18bar	
15/24bar	
PN10/16	
DN40-DN500	



DN200-DN500

# COMPANY INFORMATION



i 工厂

ii CNC 工厂

iii 工厂

iv 工厂

v 工厂 GB 工厂 TUV CE ISO 9001 ADWO-2000 TS PED WRC WRAS KTW KTW API 6D API609

vi 工厂 / 工厂 / 工厂

# COMPANY FACTORY



# SHIPPING PACKAGING



01

21 years of professional experience

03

Independent research and development team  
28 top senior professional researchers

05

100% high level ex-factory inspection

07

2 years quality assurance, repair and replacement

4 factories

02

2 professional testing centers

04

High quality imported materials

06

# COMPANY QUALIFICATION



## COMPANY EXHIBITION



## Partners



Delivery



Payment



□□□□

□□□□□□□□□□□□□□□□  
□□□□□□□□□□□□□□□□

□□□□□□□□□□□□□□  
□□□□□□□hrdraulic□□□□□RKSfluid□□□□□□□□□□□□□□□□

□□□□□□□□□□  
□□RKSfluid□□□□□□□□□□□□□□

□□□□□□□□  
□□□□□□□2□5□□□□□□□□□□□□□□□□□□□□□□□□

□□□□  
□□□□□□□1□□

□□□□□□□□□□  
□□□□□100□□□□□□2□□□□□□□□□□□□□□□□□  
□□□□□TUV□API□WRAS□CE□ISO□□□□  
□□□□□DIN□ASME□BS EN□JIS□API□AWWA□

□□□□□□□□□□□□□□□□  
□□RKSfluid□□20□□□□□□□□70□□□□□□□□□□□□□□□□□□□□□□□□