

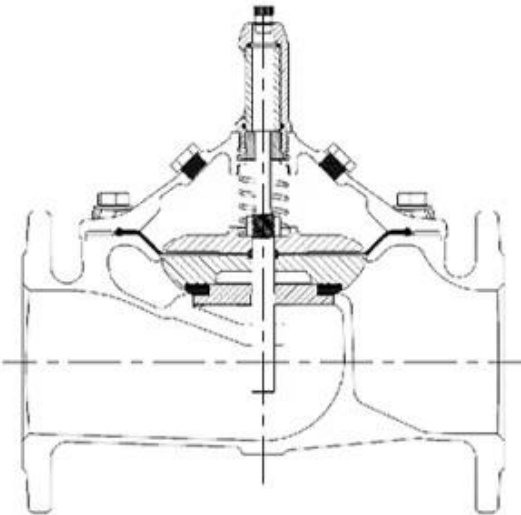
# DESIGN FEATURES

## FEATURES

1. Fully Bore with seat diameter as DN+2 mm
2. Stable working even if the flow close to Zero
3. High performance and strength Nylon enforce diaphragm
4. One Million cycle test and 64 bar burst test

## MAIN VALVE MATERIAL OPTION

- Ductile iron (DI): DN40-1200
- SUS304 (S3) or SUS316 (S6) or Duplex (SD) or Carbon Steel (CS) or Bronze (BR): DN40-400
- Aluminum (AL): DN40-200



□□□

□□□□□□□□□□□□□□□□□□□□

□□□□□□□□□□□□□□□□

□□□□□□□□□□

- □□□□□□□□□□□□1000000□□□□□

- □□□□□□□□□□5□

□□□□□CNC□□

□□□□□□□□□□GSK□WIS□□

□□□□□□□

- □□□□□□□0.5□

□□1.1xpn + 1 bar

- □□□□□1.5xpn + 1 bar

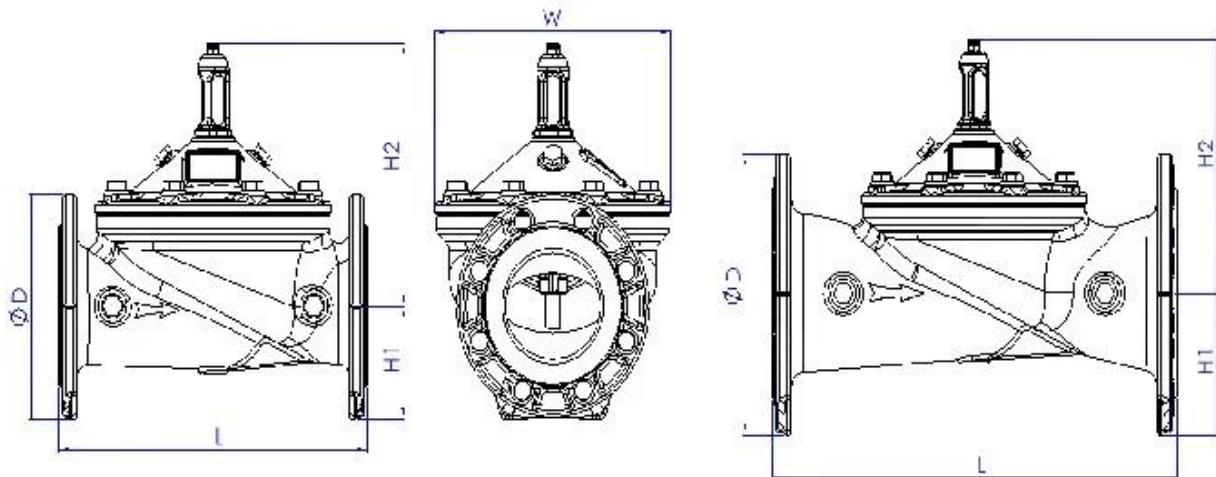
- □□□□□□□+/- 0.2□

□□□□□□1000□/□□□□□□□□□□□□

□□□□□□□□□□□□

□□□□□□WRA / KTW / NSF / FDA / ACS□□□□□□□□□□□□

Size	DN40-DN1200
Working Medium	Water
Temperature	0°C~70°C
Material	Ductile Iron/Stainless Steel/Cast Steel/Bronze/Aluminum Alloy
Design Standards	CJ/T 219 & JB/T 10674 & EN 1074-5
Pressure Level	PN10, PN16, PN25
Stress Test Standard	GB/T 13927 & ISO 5208 & EN12266-1
Flange drilling standard	GB17241.6; EN1092-2; ISO7005-2; ANSI / JIS / AS2129
Structure Length	GB 12221 & EN558-1









## Exhibition Photos





