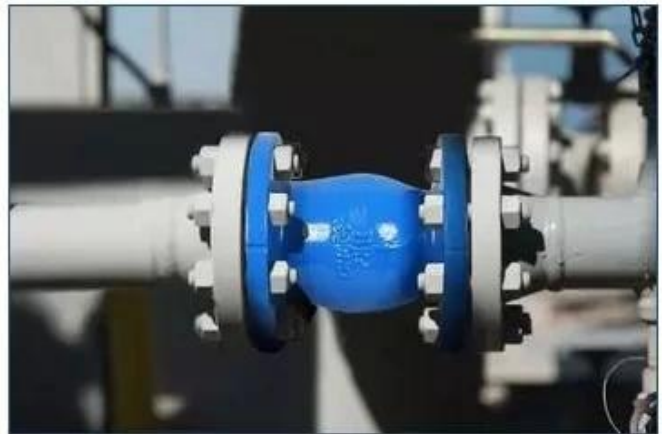




- Streamlined, minimum noise
- Backflow velocity only 0.2s, Head loss 0.1bar with 2m/s
- EPDM/NBR Rubber fully coated disc
- Anti-erosion design, Self-adjusting ball
- Self-cleaning stem, Long time smooth operation

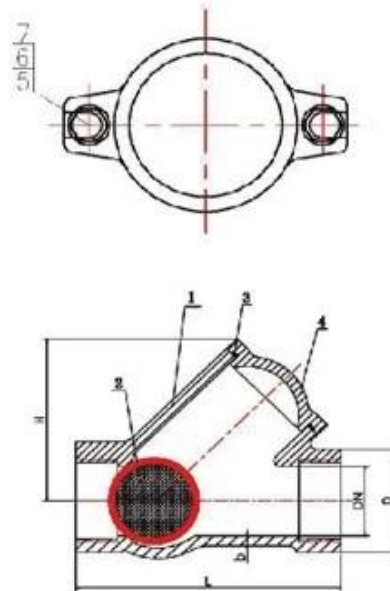
Engineering Projects

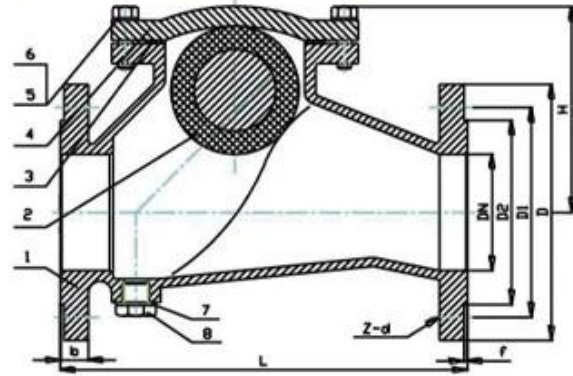




Name	Material
Body	Ductile iron
Ball	NBR
O-Ring	NBR
Cover	Ductile iron
Gasket	SS304
Washer	SS304
Nut	SS304

Ball Check Valve, Threaded





Ball Check Valve, Flange

Name	Material
Body	Ductile iron
Ball	NBR
Gasket	NBR
Body	Ductile iron
Bolt	SS304
Washer	SS304
Washer	Nylon
Plug	SS304

COMPANY INFORMATION



i. 公司基本情况

ii. CNC 数控机床

iii. 质量管理体系

iv. 环境管理体系

v. 公司符合 GB 19001、TUV CE、ISO 9001、ADWO-2000、TS、PED、WRC、WRAS、KTW、KTW、API 6D、API609

vi. 公司符合 GB 19001、TUV CE、ISO 9001、ADWO-2000、TS、PED、WRC、WRAS、KTW、KTW、API 6D、API609 / 公司 / 公司

01

21 years of professional experience

03

Independent research and development team
28 top senior professional researchers

05

100% high level ex-factory inspection

07

2 years quality assurance, repair and replacement

4 factories

02

2 professional testing centers

04

High quality imported materials

06

COMPANY QUALIFICATION



COMPANY EXHIBITION



Partners



Delivery



Payment



□□□□

□□□□□□□□□□□□□□□□
□□□□□□□□□□□□□□□□

□□□□□□□□□□□□□□
□□□□□□□hrdraulic□□□□□RKSfluid□□□□□□□□□□□□□□□□

□□□□□□□□□□
□□RKSfluid□□□□□□□□□□□□

□□□□□□□□
□□□□□□□2□5□□□□□□□□□□□□□□□□□□□□□□□□

□□□□
□□□□□□□1□□

□□□□□□□□□□
□□□□□100□□□□□□2□□□□□□□□□□□□□□□□□
□□□□□TUV□API□WRAS□CE□ISO□□□□
□□□□□DIN□ASME□BS EN□JIS□API□AWWA□

□□□□□□□□□□□□□□□□
□□RKSfluid□□20□□□□□□□□70□□□□□□□□□□□□□□□□□□□□