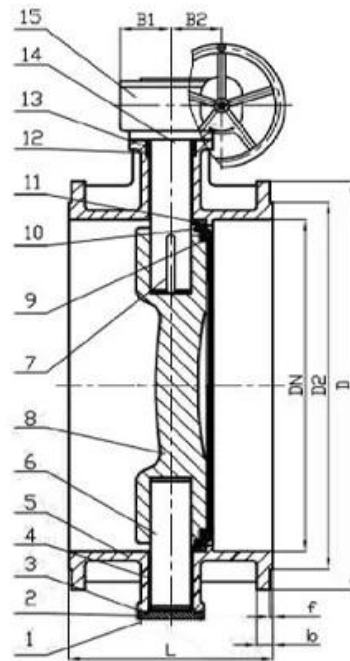


## DESIGN FEATURES

This series of butterfly valves are used for industrial pipelines, as bi-directional open and close and regulation devices, the adjustment range is from 40°C-90°C full open. Suitable temperature  $\geq 80^{\circ}\text{C}$

### Features

- Size range DN100-1200mm
- Standard-ISO/BS/DIN/AWWA/API
- Tests Standard-BS EN 12266-1
- Body-Ductile Iron/Cast Iron/Stainless Steel /WCB
- Body Ring-SS420/SS304/SS316
- Disc Ring-EPDM
- Shaft-SS420/SS431/SS316
- Fusion bonded epoxy coating-Min 300 Microns



# APPLICATION SCENARIO



Industrial water application



Power plant



Sea water desalination



Water treatment



Water supply and drainage



HAVC



Food and drug



Water transport



# COMPANY FACTORY



# COMPANY INFORMATION



i 中国合格评定国家认可委员会 (CNAS) 认证

ii 中国数控机床工业协会 (CNC) 认证

iii 中国合格评定国家认可委员会 (CNAS) 认证

iv 中国合格评定国家认可委员会 (CNAS) 认证

v 符合 GB 标准，通过 TUV CE、ISO 9001、ADWO-2000、TS、PED、WRC、WRAS、KTW、KTW、API 6D、API609 认证

VI 符合 GB 标准，通过 TUV CE、ISO 9001、ADWO-2000、TS、PED、WRC、WRAS、KTW、KTW、API 6D、API609 认证



## COMPANY QUALIFICATION



# COMPANY EXHIBITION



□□□□

□□□□□□□□□□□□□□  
 □□□□□□□□□□□□□□□□

□□□□□□□□□□□□  
 □□□□□□ hydraulic □□□□ RKSfluid □□□□□□□□□□□□□□□□□□

□□□□□□□□□□  
 □□ RKSfluid □□□□□□□□□□□□□□

□□□□□□□□  
 □□□□□□ 205 □□□□□□□□□□□□□□□□□□□□□□□□

□□□  
 □□□□□□ 1□□

□□□□□□□□□□  
 □□□□□ 100 □□□□□□ 2 □□□□□□□□□□□□□□  
 □□□□ TUV □ API □ WRAS □ CE □ ISO □□□  
 □□□□ DIN □ ASME □ BS EN □ JIS □ API □ AWWA □

□□□□□□□□□□□□□□□□  
 □□ RKSfluid □□ 20 □□□□□□□□ 70 □□□□□□□□□□□□□□□□□□□□□□