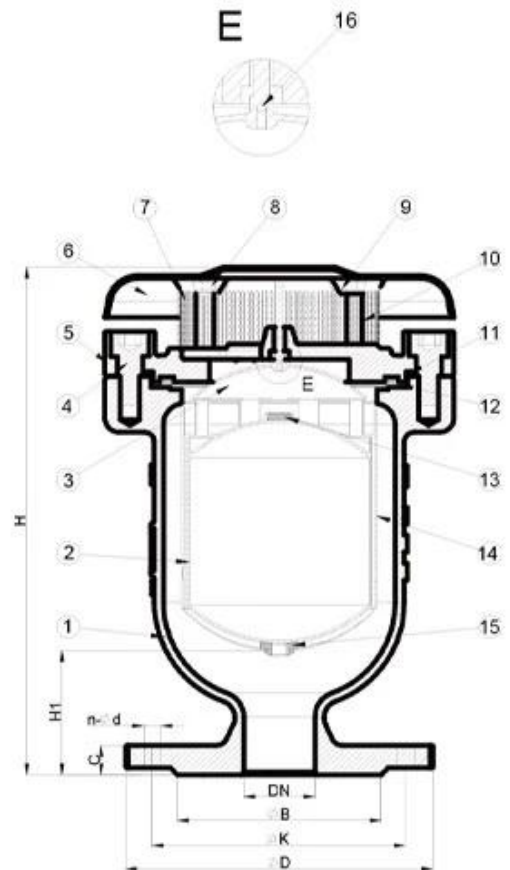


DN25-DN50



DN50-DN300





RKSfluid 1997  
CNC  
GB  
RKS  
GB ISO TUV CE ADWO-2000  
ISO9001 TS API  
“

II CNC

III

iv

v GB TUV CE ISO 9001 ADWO-2000 TS PED WRC WRA KTW API 6D API609

