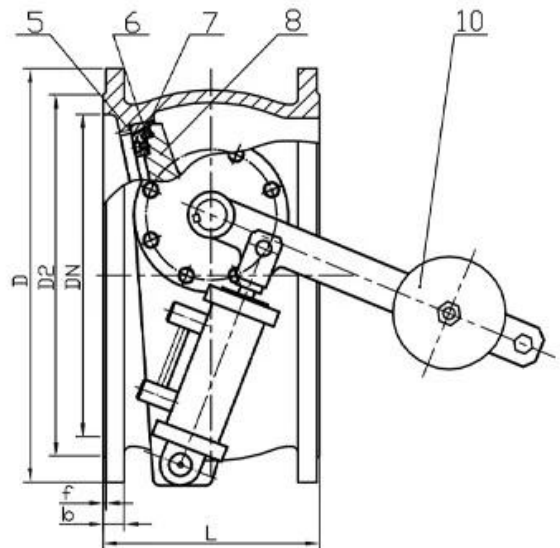
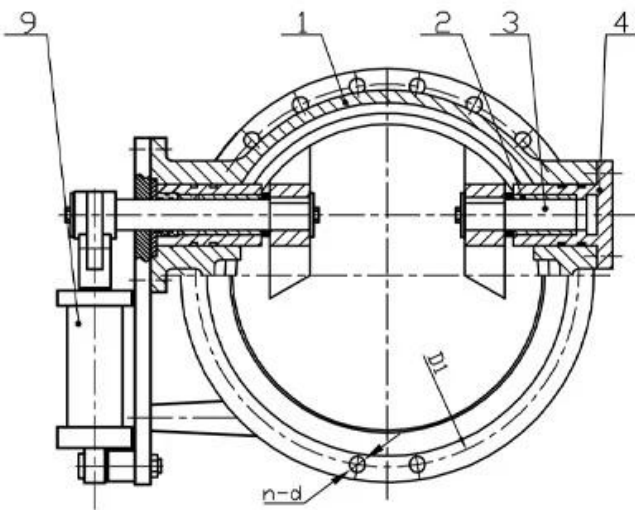


## PRODUCT STRUCTURE

### Features

- Size range DN100-1200mm
- Standard-ISO/ BS/DIN /AWWA/API
- Tests standard-BS EN 12266-1
- Body-Ductile Iron/Cast Iron/Stainless Steel/WCB
- Body Ring-SS420/SS304/SS316
- Disc Ring-EPDM
- Shaft-420/S5431/SS316
- Fusion bonded epoxy coating- Min 300 Microns

This series tilting check valves are suitable to be used at the exit of the pump whose medium is water. It is used to prevent or reduce medium back from water hammer. So it can protect the pipeline system. Suitable temperature  $\leq 80^{\circ}\text{C}$



# APPLICATION SCENARIO



Industrial water application



Power plant



Sea water desalination



Water treatment



Water supply and drainage



HAVC



Food and drug



Water transport



# COMPANY FACTORY



# COMPANY INFORMATION



i 工厂环境管理体系认证

ii CNC 加工中心精度认证

iii 质量管理体系认证

iv 环境管理体系认证

v 符合 GB 标准，通过 TUV CE、ISO 9001、ADWO-2000、TS、PED、WRC、WRAS、KTW、KTW、API 6D、API609 认证

VI 符合 ISO 14001 标准 / 符合 ISO 45001 标准

01

21 years of professional experience

03

Independent research and development team  
28 top senior professional researchers

05

100% high level ex-factory inspection

07

2 years quality assurance, repair and replacement

4 factories

02

2 professional testing centers

04

High quality imported materials

06

## COMPANY QUALIFICATION



## COMPANY EXHIBITION



