

DESIGN FEATURES

DURABLE

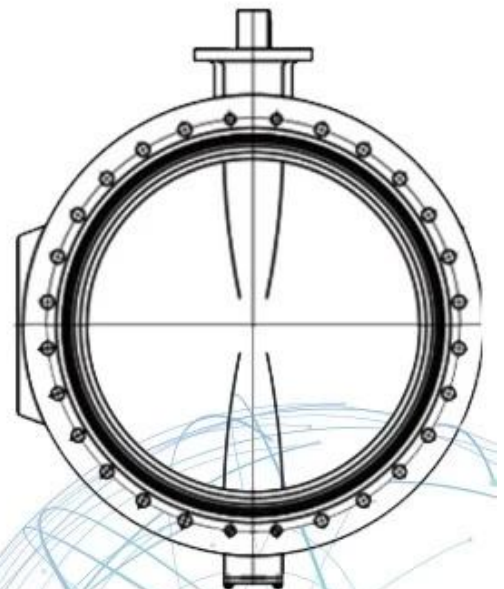
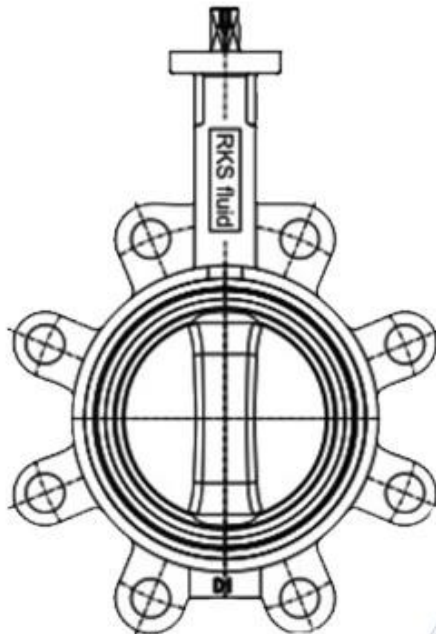
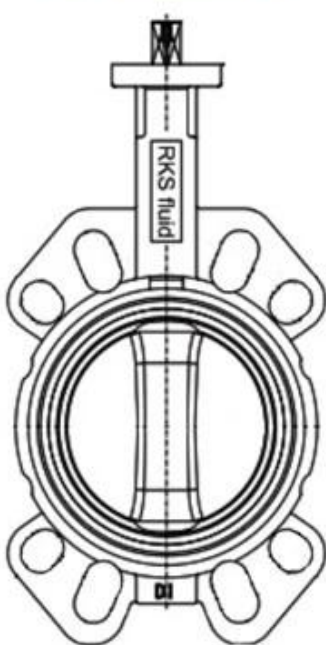
- No-pin connection, 1 pc blow-out proof stem
- DI/CI Nodularity over 95%

ANTI-CORROSION

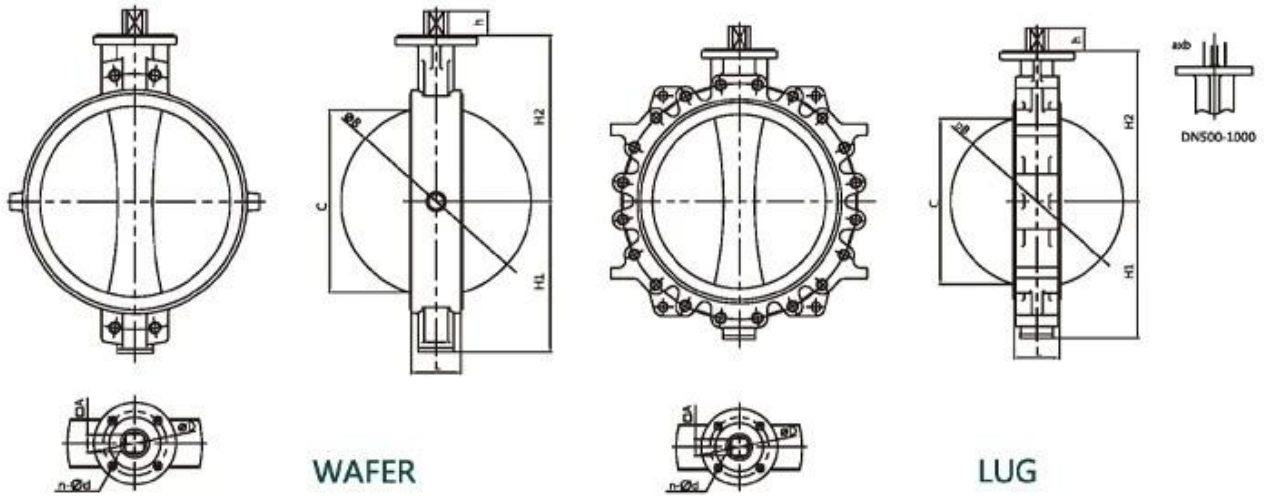
- Material: Epoxy powder:  , Earth Best!
- Coating Thickness: 200-250µm
- Spraying temp: over 200°C. Doesn't fade, even wipe with diethyl ether

QUALITY STANDARD

- 100% quality test, follow DIN, ASTM, JIS, GB/T, ISO, BS EN, API
- ONLY ONE Manufacturer get CE certification up to DN1800
- 2 years warranty. 15000 times On-off test, 30000 times Destructive experiment



□□	DN32 - DN2400 □NPS1 1/4-NPS96)
□□□□	PN6 - PN10 - PN16□150 □□
□□□□	-40°C-120°C
□□	□□□□□□□□
□□□□	NBR□EPDM□□□□□□□□□□



WAFER

LUG

NPS14-NPS40 Wafer/Lug with alignment holes

Size	L	H1	H2	h	A	ΦB	C	ΦG	a	b	ΦD	n-Φd	ISO5211
NPS14	3.07	10.63	11.81	1.42	1.06	Φ13.31	12.95	-	-	-	Φ4.92	4-Φ0.55	F12
NPS16	4.02	11.81	13.58	1.69	1.26	Φ15.35	14.80	-	-	-	Φ5.50	4-Φ0.71	F14
NPS18	4.49	12.99	14.76	1.93	4.42	Φ17.20	16.61	-	-	-	Φ5.50	4-Φ0.71	F14
NPS20	5.00	15.16	16.73	2.56	-	Φ19.09	18.43	Φ2.36	0.71	2.52	Φ6.50	4-Φ0.87	F16
NPS24	6.06	17.24	19.49	2.76	-	Φ23.03	22.24	Φ2.36	0.71	2.52	Φ6.50	4-Φ0.87	F16
NPS28	6.50	20.39	22.44	3.15	-	Φ26.77	25.98	Φ2.76	0.79	2.93	Φ10.00	8-Φ0.71	F25
NPS30	6.50	21.46	24.02	3.15	-	Φ28.74	27.95	Φ2.76	0.79	2.93	Φ10.00	8-Φ0.71	F25
NPS32	7.48	22.32	25.20	3.15	-	Φ30.43	29.49	Φ2.76	0.79	2.93	Φ10.00	8-Φ0.71	F25
NPS36	7.99	25.59	27.56	3.94	-	Φ34.49	33.54	Φ3.15	0.87	3.35	Φ10.00	8-Φ0.71	F25
NPS40	8.50	28.15	29.53	3.94	-	Φ38.43	37.48	Φ3.15	0.87	3.35	Φ11.73	8-Φ0.87	F30

APPLICATION SCENARIO



Industrial water application



Power plant



Sea water desalination



Water treatment



Water supply and drainage



HAVC



Food and drug



Water transport



COMPANY INFORMATION



I. 公司基本情况

II. 公司主要业务

III. 公司主要客户

IV. 公司主要供应商

V. 公司主要资质：TUV CE、ISO 9001、ADWO-2000、TS、PED、WRC WRAS、KTW、API 6D、API609

VI. 公司主要项目：[http://www.abc.com](#)



01

21 years of professional experience

03

Independent research and development team
28 top senior professional researchers

05

100% high level ex-factory inspection

07

2 years quality assurance, repair and replacement

4 factories

02

2 professional testing centers

04

High quality imported materials

06

COMPANY QUALIFICATION



COMPANY EXHIBITION



Partners



Delivery



Payment



□□□□

□: □□□□□□□□□□□□□□□□
 □□□□"□□□□□□□□□□□□□□□□

□: □□□□□□□□□□□□□□□□
 □□□□□□□□□□□□□□□□ RKSfluid □□□□□□□□□□□□□□□□□□□□

□: □□□□□□□□□□
 A□ RKSfluid □□□□□□□□□□□□□□□□□□□□

□□□□□□

A□ □□□□□ 2~5 □□□□□□□□□□□□□□□□

□: □□□□□

□: □□□□ 1 □□

□: □□□□□□□□

□: □□□ 100% □□□□□2 □□□□□□□□□□□□□□

□□□□□ TUV□API□WRAS□CE□ISO □□□

□□□□□ DIN□ASME□BS EN□JIS□API□AWWA□

□: □□□□□□□□□□□□□□□□□□

A□ RKSfluid □□27□□□□70□□□□□□□□□□□□□□□□□□□□□□