

Product Description



Super Anti-corrosion
Epoxy powder coating **200-250µm**,
baking varnish over **200°C**,
use  material.



Free wedge nut, **reduces the stem bending forces** and at the same time enables it to be easily replaced.



The more compact new cap, reduces the water retention areas in order to **reduce the risk of bacterial growth**.



One piece stainless steel stem in for **better resistance to axial load and to with stand higher operating torques**.



Three locking tab for bayonet system prevents self-dismantling.



Dust guard integrating three O-ring shape, **prohibiting the introduction of foreign bodies** at the stem.



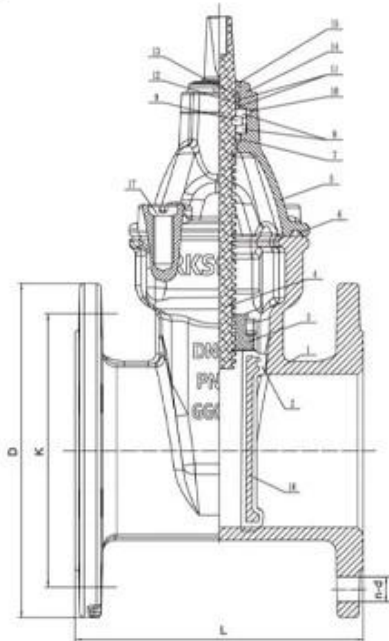
Male guiding system with composite sliding skate reduces the wear of the wedge against the body, allowing a smooth functionality and a longer life time of the valve.



Triple seal at the operating stem to ensure tightness with the test of time (2500 cycles).



New male composite sliding skate technology ensuring a low operating torque even under high differential pressure and preventing damage or corrosion generated by the friction.



Name	Material
Body	GGG50
Disc	GGG40+EPDM
Wedge nut	C48600
Stem	SS431
Bonnet	GT450-10
Gasket	EPDM
Y-ring	EPDM85-90
Fix ring	CuZn21Si3/C69300
Thrust bearing	C69300
Seal ring	EPDM70
O ring	NBR
Retainer ring	POM
Bushing ring	POM
Gland	SS431
Dustproof ring	EPDM85
Disc core	GGG40
Bolt	SS316

Design standard

Design standard	BS EN 1171 ANSI
Flange	GB/T 17241.6-2008、 DIN 2633-1975、 BS EN1902-2
Face to face	GB/T 12221-2005、 ISO 5752-1988、 BS EN558-1(F4、 F5)
Test standard	EN12266

Specification

Size	DN50-900
Pressure	PN10 PN16 class150
Medium	Water
Temperature	0°C~90°C

PRODUCT DISPLAY



SHIPPING PACKAGING



COMPANY INFORMATION



|||

|||

iii

iv

v GB TÜV CE ISO 9001 ADWO-2000 TS PED WRC WRA KTW API 6D API609

vi

COMPANY INFORMATION



EXHIBITION



□□□□

□□□□□□□□□□□□□□□□

- □□□□□□□□□□□□□□□□□□

□□□□□□□□□□□□

- □□□□□□□□ Hydraulic □□□□ RKSfluid □□□□□□□□□□□□□□□□□□□

□□□□□□□□□□

□□ RKSfluid □□□□□□□□□□□□□□

□□□□□□□□

□□□□□□□□ 20-50 □□□□□□□□□□□□□□□□□□

□□ Moq.

A □□□□□□ 1 PC □

□□□□□□□□

- □□□□□ 100 □□□□□□□□ 20 □□□□□□□□□□□□

□□□□ TUV □ API □ WRA □ CE □ ISO □□□

□□□□ DIN □ ASME □ BS EN □ IS □ API □ AWWA □

□□□□□□□□□□□□

□□ RKSfluid □□ 20 □□□□□□ 70 □□□□□□□□□□□□□□□□□□□□