

DESIGN FEATURES

DURABLE

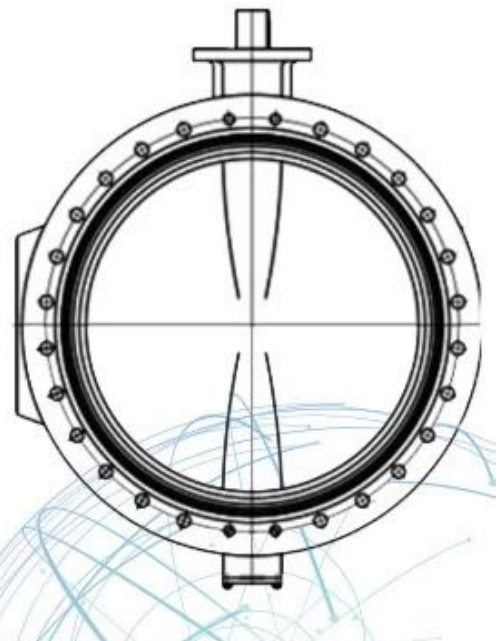
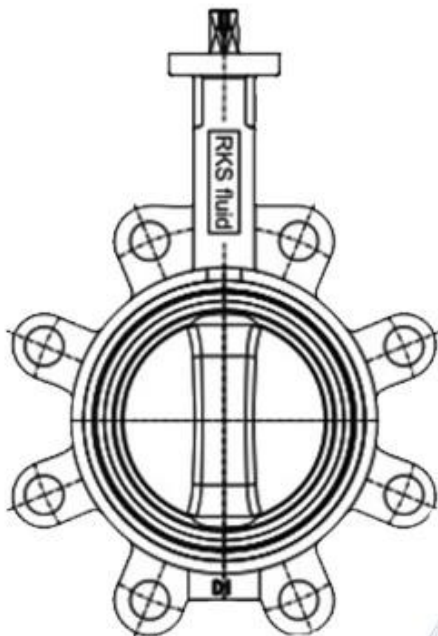
- No-pin connection, 1 pc blow-out proof stem
- DI/CI Nodularity over 95%

ANTI-CORROSION

- Material: Epoxy powder:  , Earth Best!
- Coating Thickness: 200-250µm
- Spraying temp: over 200°C. Doesn't fade, even wipe with diethyl ether

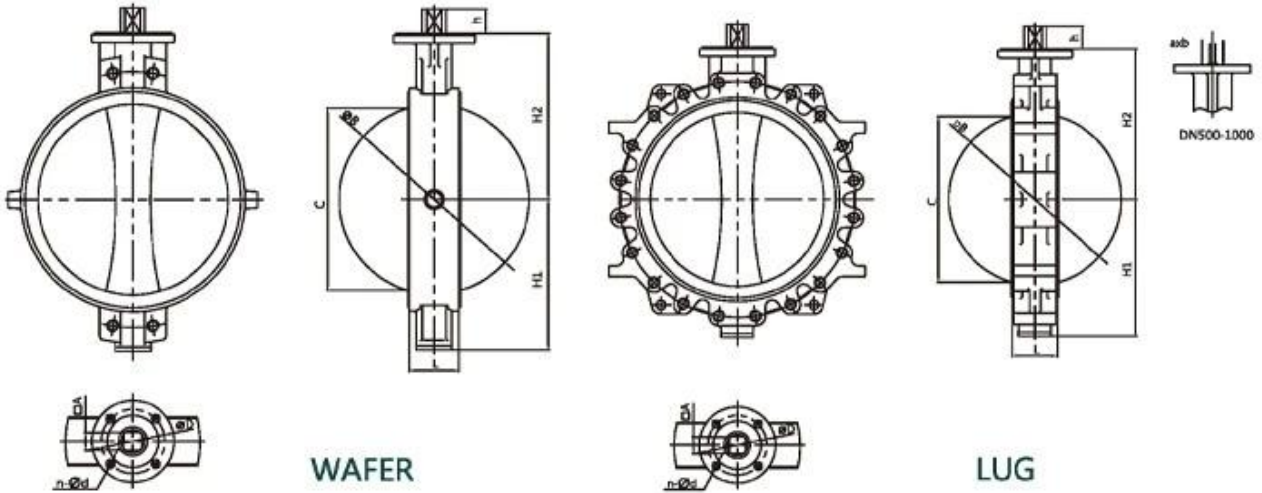
QUALITY STANDARD

- 100% quality test, follow DIN, ASTM, JIS, GB/T, ISO, BS EN, API
- ONLY ONE Manufacturer get CE certification up to DN1800
- 2 years warranty. 15000 times On-off test, 30000 times Destructive experiment



| | |
|------|--------------------------------|
| □□ | DN32 -DN2400 □NPS1 1/4 -NPS96□ |
| □□□□ | PN6 -PN10 -PN16□150□ |
| □□□□ | -40°C-+120°C |

| | |
|------|-----------------------|
| □□ | □□□□□□□□ |
| □□□□ | NBR□EPDM□□□□□□□□Viton |
| □□ | □□□□□□□□U□□□□□□ |



NPS14-NPS40 Wafer/Lug with alignment holes

| Size | L | H1 | H2 | h | A | ΦB | C | ΦG | a | b | ΦD | n-Φd | IS05211 |
|-------|------|-------|-------|------|------|--------|-------|-------|------|------|--------|---------|---------|
| NPS14 | 3.07 | 10.63 | 11.81 | 1.42 | 1.06 | Φ13.31 | 12.95 | - | - | - | Φ4.92 | 4-Φ0.55 | F12 |
| NPS16 | 4.02 | 11.81 | 13.58 | 1.69 | 1.26 | Φ15.35 | 14.80 | - | - | - | Φ5.50 | 4-Φ0.71 | F14 |
| NPS18 | 4.49 | 12.99 | 14.76 | 1.93 | 4.42 | Φ17.20 | 16.61 | - | - | - | Φ5.50 | 4-Φ0.71 | F14 |
| NPS20 | 5.00 | 15.16 | 16.73 | 2.56 | - | Φ19.09 | 18.43 | Φ2.36 | 0.71 | 2.52 | Φ6.50 | 4-Φ0.87 | F16 |
| NPS24 | 6.06 | 17.24 | 19.49 | 2.76 | - | Φ23.03 | 22.24 | Φ2.36 | 0.71 | 2.52 | Φ6.50 | 4-Φ0.87 | F16 |
| NPS28 | 6.50 | 20.39 | 22.44 | 3.15 | - | Φ26.77 | 25.98 | Φ2.76 | 0.79 | 2.93 | Φ10.00 | 8-Φ0.71 | F25 |
| NPS30 | 6.50 | 21.46 | 24.02 | 3.15 | - | Φ28.74 | 27.95 | Φ2.76 | 0.79 | 2.93 | Φ10.00 | 8-Φ0.71 | F25 |
| NPS32 | 7.48 | 22.32 | 25.20 | 3.15 | - | Φ30.43 | 29.49 | Φ2.76 | 0.79 | 2.93 | Φ10.00 | 8-Φ0.71 | F25 |
| NPS36 | 7.99 | 25.59 | 27.56 | 3.94 | - | Φ34.49 | 33.54 | Φ3.15 | 0.87 | 3.35 | Φ10.00 | 8-Φ0.71 | F25 |
| NPS40 | 8.50 | 28.15 | 29.53 | 3.94 | - | Φ38.43 | 37.48 | Φ3.15 | 0.87 | 3.35 | Φ11.73 | 8-Φ0.87 | F30 |

APPLICATION SCENARIO



Industrial water application



Power plant



Sea water desalination



Water treatment



Water supply and drainage



HAVC



Food and drug



Water transport



COMPANY INFORMATION



i. 工厂生产的产品符合以下标准

ii. CNC 加工精度符合以下标准

iii. 表面处理符合以下标准

iv. 材料符合以下标准

v. 符合 GB 标准，符合 TUV CE、ISO 9001、ADWO-2000、TS、PED、WRC WRAS、KTW、KTW、API 6D、API609

vi. 工厂符合 ISO 14001 环境管理体系 / 符合 / 符合



01

21 years of professional experience

03

Independent research and development team
28 top senior professional researchers

05

100% high level ex-factory inspection

07

2 years quality assurance, repair and replacement

4 factories

02

2 professional testing centers

04

High quality imported materials

06

COMPANY QUALIFICATION



COMPANY EXHIBITION



Partners



Delivery



Payment



□□□□

□□□□□□□□□□□□□□□□
□□□□□□□□□□□□□□□□

□□□□□□□□□□□□□□
□□□□□□hrdraulic□□□□□RKSfluid□□□□□□□□□□□□□□□□

□□□□□□□□□□□
□□RKSfluid□□□□□□□□□□□□□□□□

□□□□□□
□□□□□□□2□5□□□□□□□□□□□□□□□□

□□□□
□□□□□□□1□□

□□□□□□□□□□
□□□□□100□□□□□□2□□□□□□□□□□□□□□□
□□□□□TUV□API□WRAS□CE□ISO□□□□
□□□□□DIN□ASME□BS EN□JIS□API□AWWA□

□□□□□□□□□□□□□□□□□□□□
□□RKSfluid□□20□□□□□□□□□□□□□□□□□□□□□□□□□□□□