

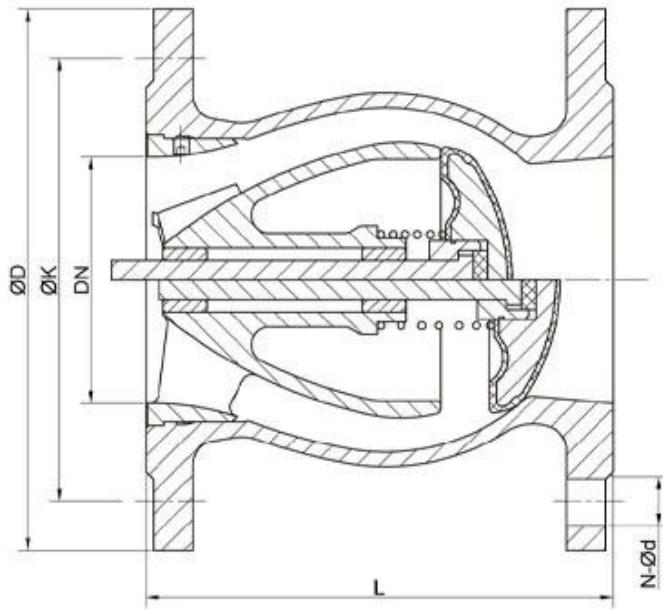
SLAM

- -
 -
-
- -
 -
 -
 -
 -
 -
 -
- EN 558-1 ISO 5752 EN 1092-2 ISO 7005-2

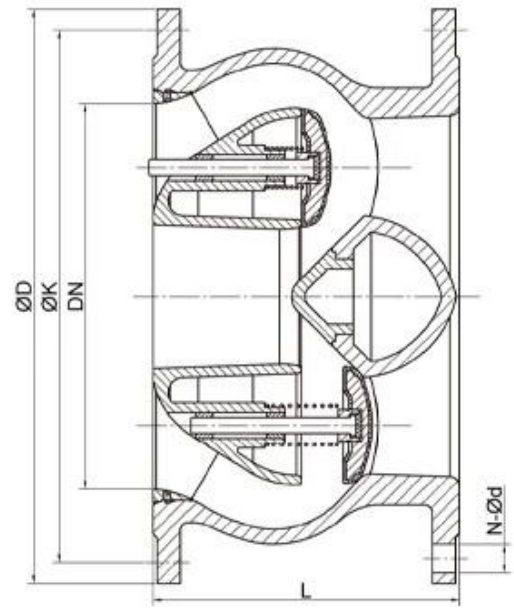


- Streamlined, minimum noise
- Backflow velocity only 0.2s, Head loss 0.1bar with 2m/s
- EPDM/NBR Rubber fully coated disc
- Anti-erosion design. Self-adjusting ball
- Self-cleaning stem, Long time smooth operation

尺寸	DN50 -DN600 NPS2 -NPS24
压力等级	PN10/16/25
温度范围	0°C +80°C
材料	铸钢
密封材料	橡胶
标准	GB/T 12235-2007
法兰标准	EN 558-1
接口标准	EN 1092-2



NPS2-NPS14 (DN50-DN350)



NPS16-NPS24 (DN400-DN600)



COMPANY INFORMATION



i. 公司基本情况

ii. CNC 加工精度

iii. 质量管理体系

iv. 生产流程

v. 符合 GB、TUV CE、ISO 9001、ADWO-2000、TS、PED、WRC WRAS、KTW、KTW、API 6D、API609

vi. 公司联系方式 / 地址 / 邮编

COMPANY FACTORY



01

21 years of professional experience

03

Independent research and development team
28 top senior professional researchers

05

100% high level ex-factory inspection

07

2 years quality assurance, repair and replacement

4 factories

02

2 professional testing centers

04

High quality imported materials

06

COMPANY QUALIFICATION



COMPANY EXHIBITION



Partners



