

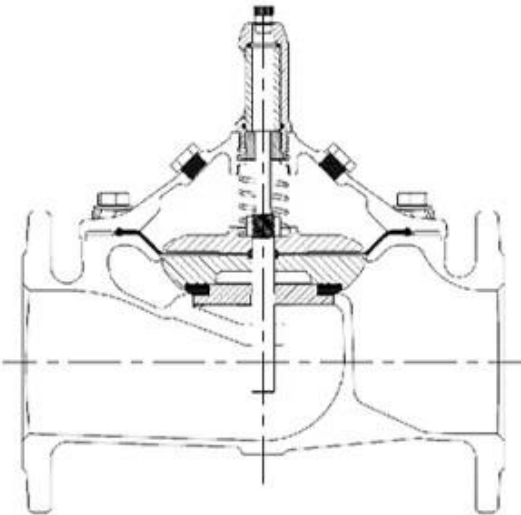
DESIGN FEATURES

FEATURES

1. Fully Bore with seat diameter as DN+2 mm
2. Stable working even if the flow close to Zero
3. High performance and strength Nylon enforce diaphragm
4. One Million cycle test and 64 bar burst test

MAIN VALVE MATERIAL OPTION

- Ductile iron (DI): DN40-1200
- SUS304 (S3) or SUS316 (S6) or Duplex (SD) or Carbon Steel (CS) or Bronze (BR): DN40-400
- Aluminum (AL): DN40-200



□□□

□□□□□□□□□□□□□□□□□□□□
 □□□□□□□□□□□□□□□□□□□□
 □□□□□□□□□□□□□□□□□□□□
 -1000000□□□□□□□□□□□□□□□□□□□□
 - □□□□□□□□□□5□

□□□□□CNC□□

□□□□□□□□□□□□GSK□WIS□□

□□□□□□□

- □□□□□□□0.5 bar

□□1.1xpn+1□

- □□□□□1.5xpn+1 bar

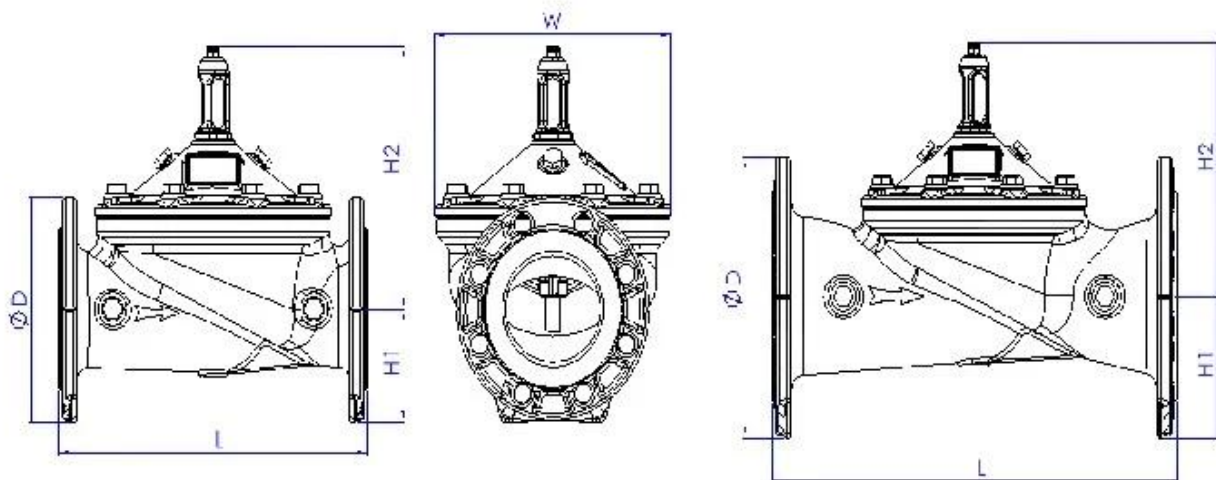
- □□□□□□□+/- 0.2 bar

□□□□□□1000□/□□□□□□□□□□□□

□□□□□□□□□□□□

□□WRAS/KTW/NSF/FDA/ACS□□□□□□□□□□□□□□

| | |
|--------------------------|---|
| Size | DN40-DN1200 |
| Working Medium | Water |
| Temperature | 0°C~70°C |
| Material | Ductile Iron/Stainless Steel/Cast Steel/Bronze/Aluminum Alloy |
| Design Standards | CJ/T 219 & JB/T 10674 & EN 1074-5 |
| Pressure Level | PN10, PN16, PN25 |
| Stress Test Standard | GB/T 13927 & ISO 5208 & EN12266-1 |
| Flange drilling standard | GB17241.6; EN1092-2; ISO7005-2; ANSI / JIS / AS2129 |
| Structure Length | GB 12221 & EN558-1 |





i 工厂整体设计

ii CNC 加工精度

iii 材料选择

iv 表面处理

v 符合 GB 标准，通过 TUV CE、ISO 9001、ADWO-2000、TS、PED、WRC WRAS、KTW、KTW、API 6D、API609 认证

vi 工厂地址： / 电话： / 电子邮箱：



Exhibition Photos



Our Certificates



□□□□

□□□□□□□□□□□□□□□□
□□□□□□□□□□□□□□□□

□□□□□□□□□□□□□□
□□□□□□□□hrdraulic□□□□□□ RKSfluid□□□□□□□□□□□□□□□□□□□□□□□□

□□□□□□□□□□□□
□□RKSfluid□□□□□□□□□□□□□□□□

□□□□□□□□
□□□□□□□□2□5□□

□□□
□□□□□□□□1□□

□□□□□□□□□□□□
□□□□□□100□□□□□□2□□□□□□□□□□□□□□□□□□□□□□□□□□□□□□□□□□□□
□□□□□□TUV□API□WRAS□CE□ISO□□□□□□
□□□□□□DIN□ASME□BS EN□IS□API□AWWA□

