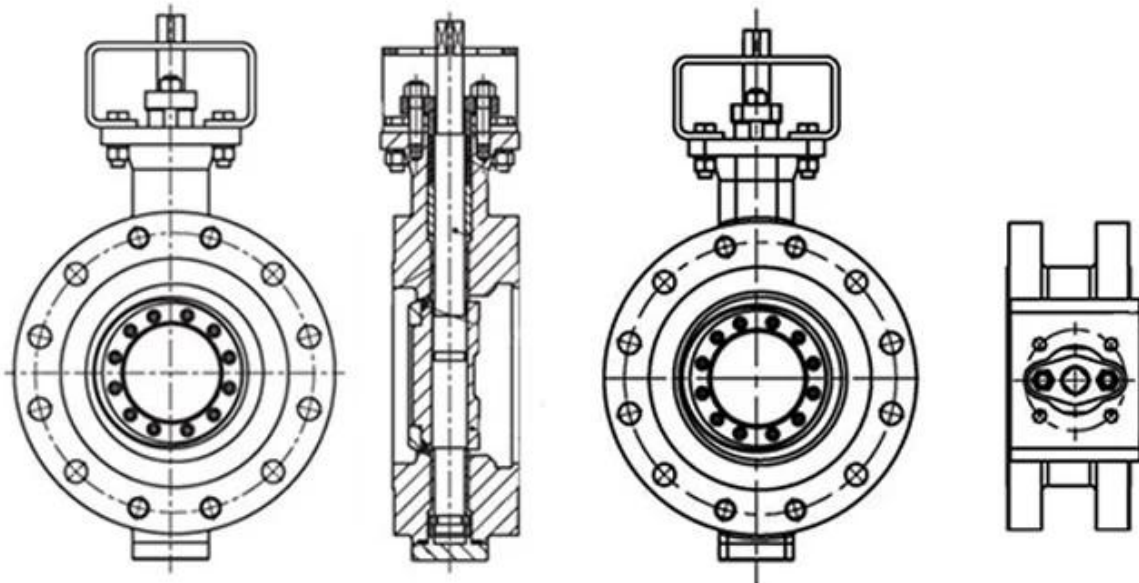


DESIGN FEATURES



- 1.Elastic stainless steel sealing ring,"0"leakage
- 2.Fireproof structural design,blow-out proof stems
- 3.Auto welding plasma powder surfacing valve seat
- 4.Hollow design, reduces flow resistance
- 5.Interchangeable DSS entity seal / multiple-piece
- 6.stainless and graphite seal
- 7.ISO5211 Mounting platform,simple connection



APPLICATION SCENARIO



Industrial water application



Power plant



Sea water desalination



Water treatment



Water supply and drainage



HAVC



Food and drug



Water transport



COMPANY INFORMATION



i 100% 100% 100% 100% 100% 100%

ii CNC 100% 100% 100% 100% 100% 100%

iii 100% 100% 100% 100% 100% 100%

iv 100% 100% 100% 100% 100% 100%

v GB 100% 100% 100% TUV CE ISO 9001 ADWO-2000 TS PED WRC WRAS KTW KTW API 6D API609

VI 100% 100% 100% 100% 100% 100% / 100% / 100%

COMPANY QUALIFICATION



