

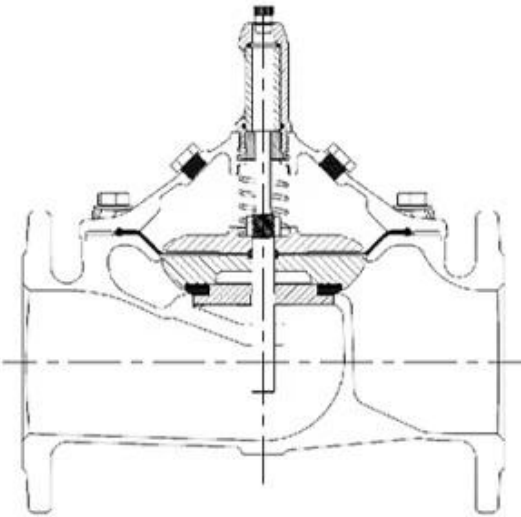
DESIGN FEATURES

FEATURES

1. Fully Bore with seat diameter as DN+2 mm
2. Stable working even if the flow close to Zero
3. High performance and strength Nylon enforce diaphragm
4. One Million cycle test and 64 bar burst test

MAIN VALVE MATERIAL OPTION

- Ductile iron (DI): DN40-1200
- SUS304 (S3) or SUS316 (S6) or Duplex (SD) or Carbon Steel (CS) or Bronze (BR): DN40-400
- Aluminum (AL): DN40-200



□□

□□□□□□□□□□□□□□□□□□□□
 □□□□□□□□□□□□□□□□□□
 □□□□□□□□□□
 -1000000□□□□□□□□□□□□□□□□
 - □□□□□□□□□□5□

□□□□□CNC□□

□□□□□□□□□□□□GSK□WIS□□

□□□□□□□

- □□□□□□□0.5 bar

□□1.1xpn+1□

- □□□□□1.5xpn+1 bar

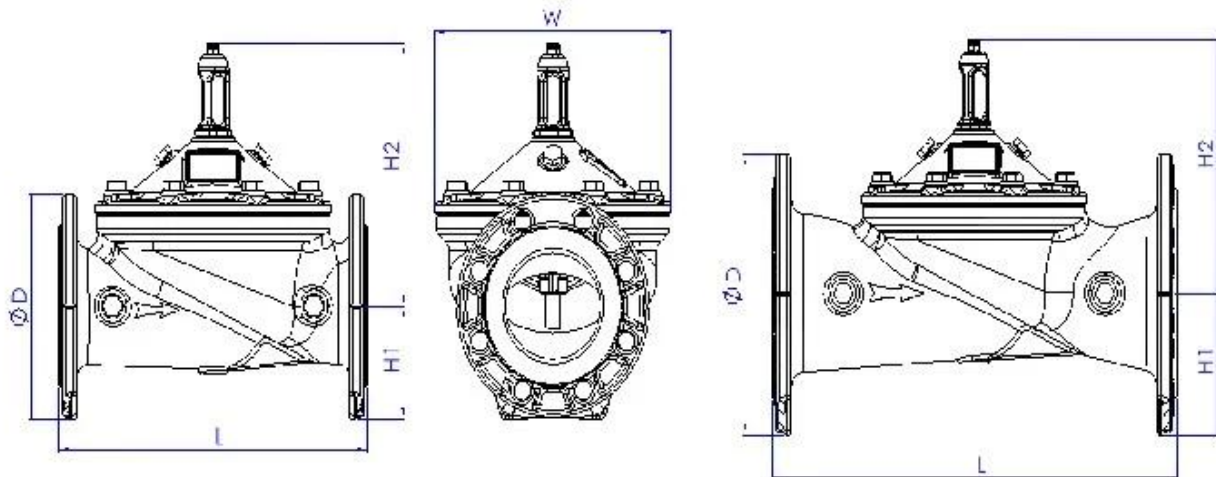
- □□□□□□□+/- 0.2 bar

□□□□□□1000□/□□□□□□□□□□□□

□□□□□□□□□□□□

□□WRAS/KTW/NSF/FDA/ACS□□□□□□□□□□□□□□

Size	DN40-DN1200
Working Medium	Water
Temperature	0°C~70°C
Material	Ductile Iron/Stainless Steel/Cast Steel/Bronze/Aluminum Alloy
Design Standards	CJ/T 219 & JB/T 10674 & EN 1074-5
Pressure Level	PN10, PN16, PN25
Stress Test Standard	GB/T 13927 & ISO 5208 & EN12266-1
Flange drilling standard	GB17241.6; EN1092-2; ISO7005-2; ANSI / JIS / AS2129
Structure Length	GB 12221 & EN558-1





i 工厂整体设计

ii CNC 加工中心

iii 表面处理

iv 装配调试

v 符合 GB 标准，通过 TUV CE、ISO 9001、ADWO-2000、TS、PED、WRC WRAS、KTW、KTW、API 6D、API609 认证

vi 工厂地址： / 邮编： / 联系电话：



Exhibition Photos



