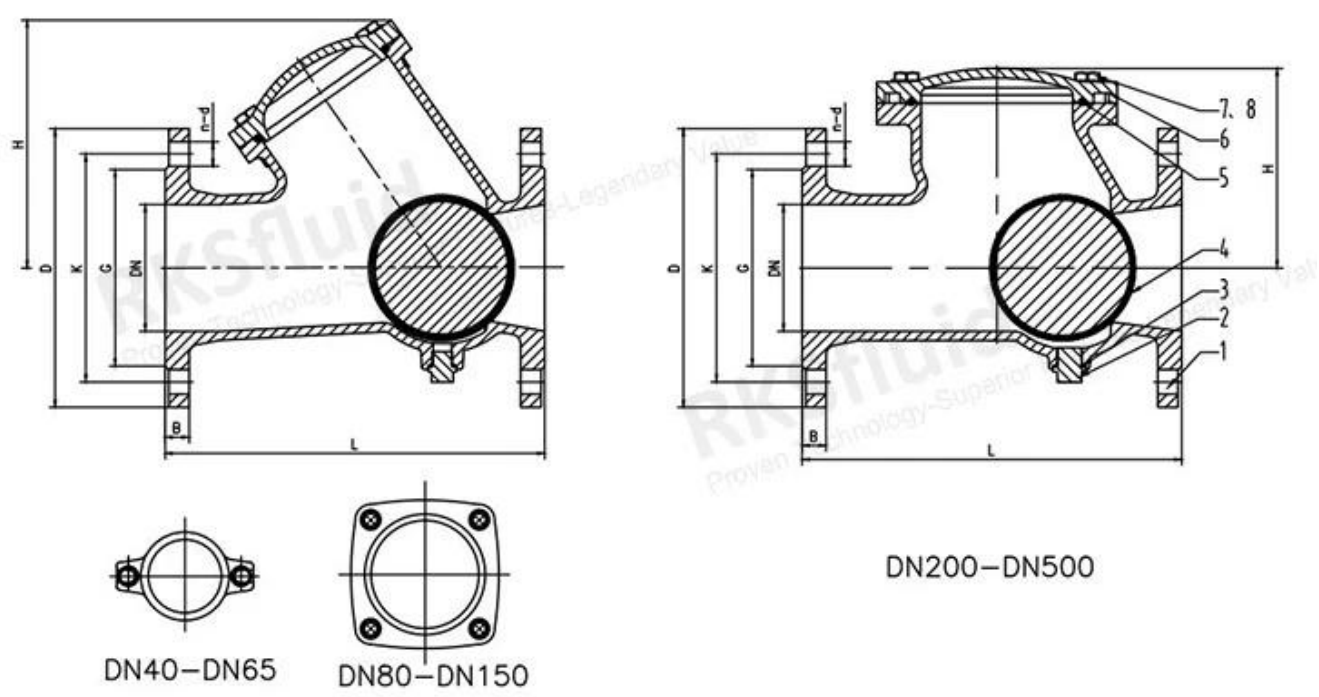


RKSfluid

EN 1171	EN 1092-2
DIN 12266-1	
	0-80°C
	11/18
	15/24
	PN10/16
	DN40-DN500



COMPANY FACTORY



SHIPPING PACKAGING



01

21 years of professional experience

03

Independent research and development team
28 top senior professional researchers

05

100% high level ex-factory inspection

07

2 years quality assurance, repair and replacement

4 factories

02

2 professional testing centers

04

High quality imported materials

06

COMPANY QUALIFICATION



COMPANY EXHIBITION



Partners



Delivery



Payment



□□□□

□: □□□□□□□□□□□□□□□□
□□□□"□□□□□□□□□□□□□□□□

□: □□□□□□□□□□□□□□□□
□□□□□□□□□□□□□□□□ RKSfluid □□□□□□□□□□□□□□□□□□□□

□: □□□□□□□□□□
A□ RKSfluid □□□□□□□□□□□□□□□□

□□□□□□
A□ □□□□ 2~5 □□□□□□□□□□□□□□□□

□: □□□□□
□: □□□□ 1 □□

□: □□□□□□□□
□: □□□ 100% □□□□□2 □□□□□□□□□□□□□□□□
□□□□□ TUV□API□WRAS□CE□ISO □□□□
□□□□□ DIN□ASME□BS EN□JIS□API□AWWA□

□: □□□□□□□□□□□□□□□□□□□□
A□ RKSfluid □□20□□□□70□□□□□□□□□□□□□□□□□□□□□□□□□□□□