



# RKSfluid®

A key Valve in Flow Control



Butterfly Valve

Ball Valve

Gate Valve

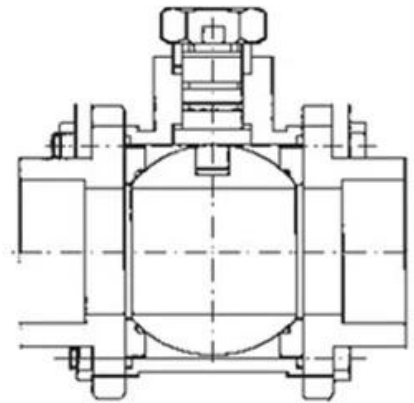
Globe Valve

Check Valve

Pipe Fittings



- As primary sealing, thrust bearing & thrust washer enable reduce torque and prevent seizing
- Saddle lock gasket prevent nut loosening under frequent on-off
- Compact sealing structure, easy maintenance
- Blow-out proof stem



## Engineering Projects



## Partners



PTFE lined butterfly valve



Resilient seat butterfly valve



Double offset butterfly valve



Triple offset butterfly valve



Ball valve



Pipe fittings

# Our Factory



## Company Advantages

01

21 years of professional experience

03

Independent research and development team  
28 top senior professional researchers

05

100% high level ex-factory inspection

07

2 years quality assurance, repair and replacement

4 factories

02

2 professional testing centers

04

High quality imported materials

06



# Our Certificates



□□□□

□□□□□□□□□□□□□□□□□□  
 □□□□□□□□□□□□□□□□□□

□□□□□□□□□□□□□□□□□□  
 □□□□□□□□□□□□ RKSfluid □□□□□□□□□□□□□□□□□□□□□□□□□□□□□□□□□□

□□□□□□□□□□□□  
 □□ RKSfluid □□□□□□□□□□□□□□□□□□

□□□□□□□□  
 □□□□□□□□□□ 2~5 □□□□□□□□□□□□□□□□□□

□□ MOQ  
 □□□□□□□□ 1pc □

□□□□□□□□□□□□  
 □□□□□ 100 □□□□□□□□ 2 □□□□□□□□□□□□□□□□□□  
 □□□□□□ TUV □ API □ WRAS □ CE □ ISO □□□□  
 □□□□□□ DIN □ ASME □ BS EN □ JIS □ API □ AWWA □

