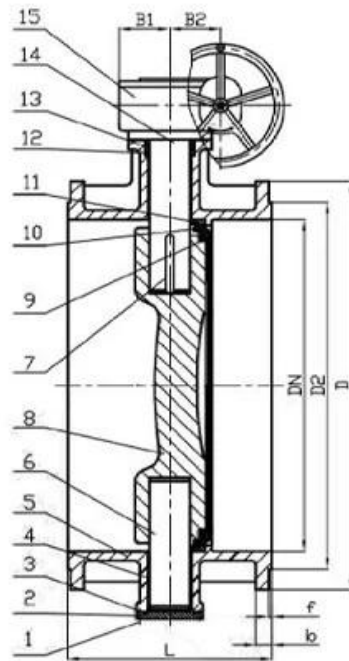


DESIGN FEATURES

This series of butterfly valves are used for industrial pipelines, as bi-directional open and close and regulation devices, the adjustment range is from 40°C-90°C full open. Suitable temperature $\geq 80^{\circ}\text{C}$

Features

- Size range DN100-1200mm
- Standard-ISO/BS/DIN/AWWA/API
- Tests Standard-BS EN 12266-1
- Body-Ductile Iron/Cast Iron/Stainless Steel /WCB
- Body Ring-SS420/SS304/SS316
- Disc Ring-EPDM
- Shaft-SS420/SS431/SS316
- Fusion bonded epoxy coating-Min 300 Microns



APPLICATION SCENARIO



Industrial water application



Power plant



Sea water desalination



Water treatment



Water supply and drainage



HAVC



Food and drug



Water transport



COMPANY FACTORY



COMPANY INFORMATION



i 100% 100% 100% 100% 100% 100% 100% 100% 100% 100%

ii CNC 100% 100% 100% 100% 100% 100% 100% 100% 100% 100%

iii 100% 100% 100% 100% 100% 100% 100% 100% 100% 100%

iv 100% 100% 100% 100% 100% 100% 100% 100% 100% 100%

v GB 100% 100% 100% 100% 100% 100% 100% 100% 100% 100%
TUV CE ISO 9001 ADWO-2000 TS PED WRC WRAS KTW KTW API
6D API609

VI 100% 100% 100% 100% 100% 100% 100% 100% 100% 100%



COMPANY QUALIFICATION



