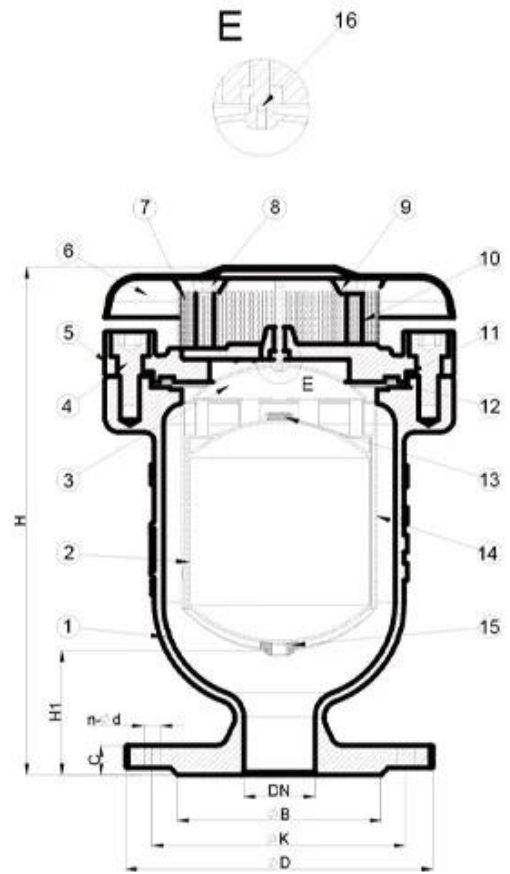


DN25-DN50



DN50-DN300

Our Factory



RKSfluid 1997 Foundry
 100% CNC
 100% ISO 9001
 100% ISO 14001
 100% ISO 45001

GB
RKS
TUV CE ADWO-2000
ISO9001 TS API
“ ”
i

ii CNC

iii

iv

v GB TUV CE ISO 9001 ADWO-2000 TS PED WRC
WRAS KTW KTW API 6D API609

VI / /

Our Certificates



Exhibition Photos

