




# RKSfluid®

A key Valve in Flow Control



Butterfly Valve



Ball Valve



Gate Valve



Globe Valve



Check Valve



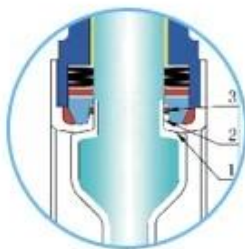
Pipe Fittings

GRIFFFIN series PTFE lined butterfly valve

Design Features



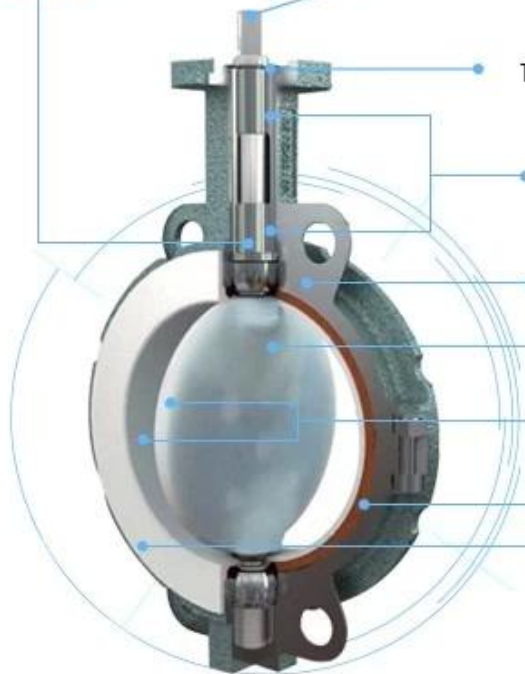
Stem to Disc Connections



1. Primary Seal: Spring loaded Mechanical seal
2. Secondary Seal: Radial Lip Seal
3. Third Seal: FPM



Safety slot for over torque protection



- Top flange meets ISO5211 standard
- Bushing
- WCB / CF8M Bodies
- One piece (non welded) PFA molded ASTM A890 Duplex disc stem.
- Radial lip seal between body and disc for better seal performance
- Elastomer Back-up Silicon or FPM
- Isostatic molded PTFE Seat for consistent density throughout the seat areas

Seat Liner  
Material: PTFE



One Piece Disc Stem PFA Lined

Material:  
1.4462/1.4469 + PFA (Standard)  
17-4PH + PFA  
CF8/CF8M/CF3/CF3M + PFA



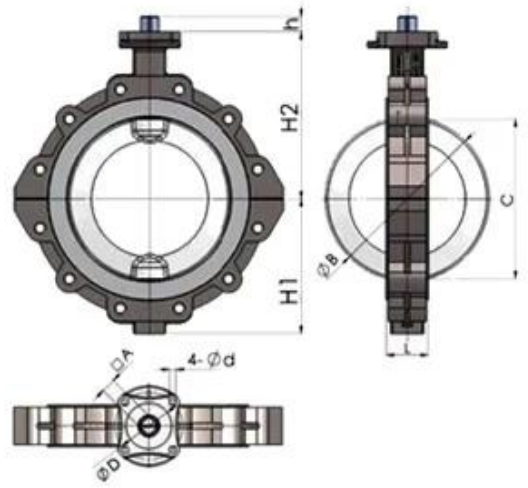
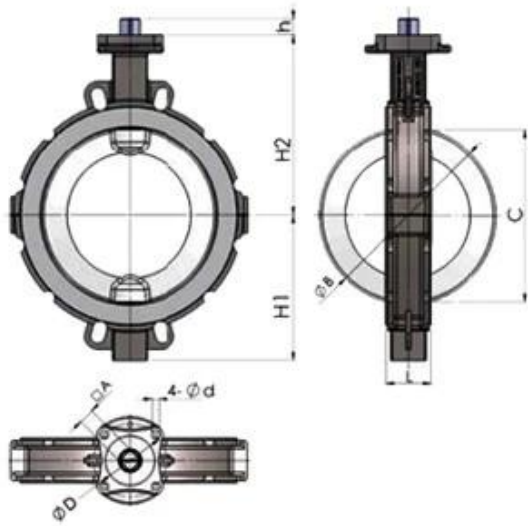
Elastomer Back-up  
Material:  
Viton/silicone



Parts: Body  
Material:  
WCB (Standard)  
CF8M, CF8 (Optional)









# Our Factory



## Company Advantages

01

21 years of professional experience

03

Independent research and development team  
28 top senior professional researchers

05

100% high level ex-factory inspection

07

2 years quality assurance, repair and replacement

4 factories

02

2 professional testing centers

04

High quality imported materials

06











