



# RKSfluid®

A key Valve in Flow Control



Butterfly Valve



Ball Valve



Gate Valve



Globe Valve

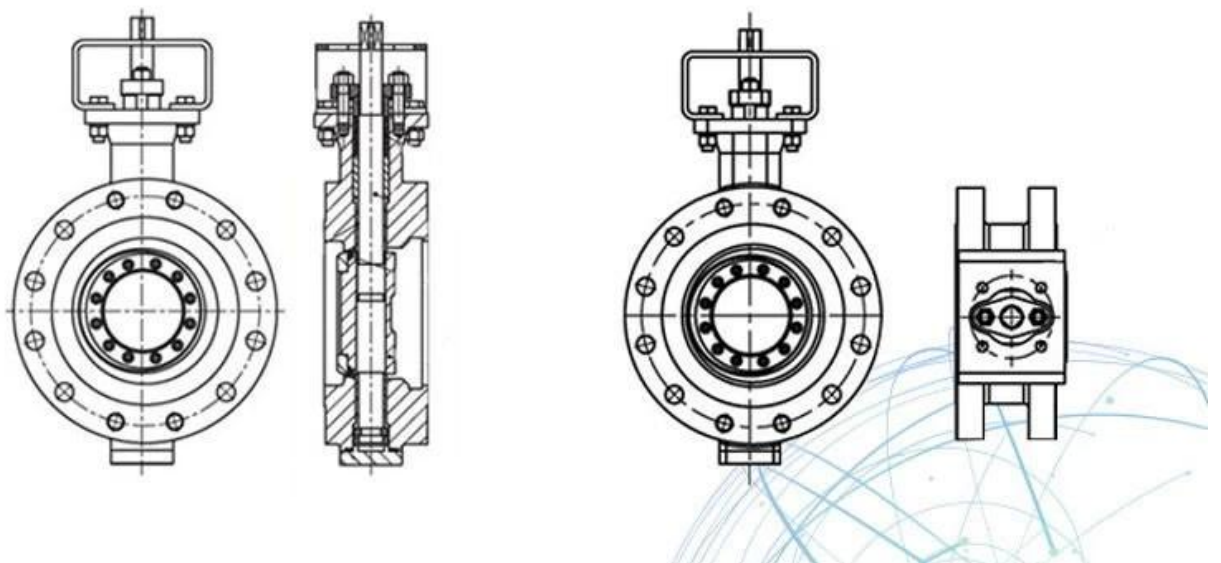


Check Valve



Pipe Fittings

## DESIGN FEATURES





# APPLICATION SCENARIO



Industrial water application



Power plant



Petroleum



Nuclear plant



Hydroelectric power



Marine operation



Healing drugs



Refined coal



# Our Factory





# Company Advantages



I 100% high level ex-factory inspection

II CNC processing

III 21 years of professional experience

IV 2 years quality assurance, repair and replacement

V GB, TUV CE, ISO 9001, ADWO-2000, TS, PED, WRC, WRAS, KTW, API 6D, API609





# Exhibition Photos



# Our Certificates



□□□□□□□□□□□□□□□□  
□□□□□□□□□□□□□□□□

□□□□□□□□□□□□  
□□□□□□□□□□□□ RKSfluid□□□□□□□□□□□□□□□□

□□□□□□□□□□□□  
□□RKSfluid□□□□□□□□□□□□□□□□

□□□□□□□□  
□□□□□□□2~5□□□□□□□□□□□□□□□□□□□□

□□MOQ  
□□□□□□□□1pc□

□□□□□□□□□□□□  
□□□□□100□□□□□□2□□□□□□□□□□□□□□□□□  
□□□□□TUV□API□WRAS□CE□ISO□□□□  
□□□□□DIN□ASME□BS EN□JIS□API□AWWA□

□□□□□□□□□□□□□□□□  
□□RKSfluid□□20□□□□□□70□□□□□□□□□□□□□□□□□□□□□□□□