



RKSfluid®

A key Valve in Flow Control



Butterfly Valve



Ball Valve



Gate Valve



Globe Valve

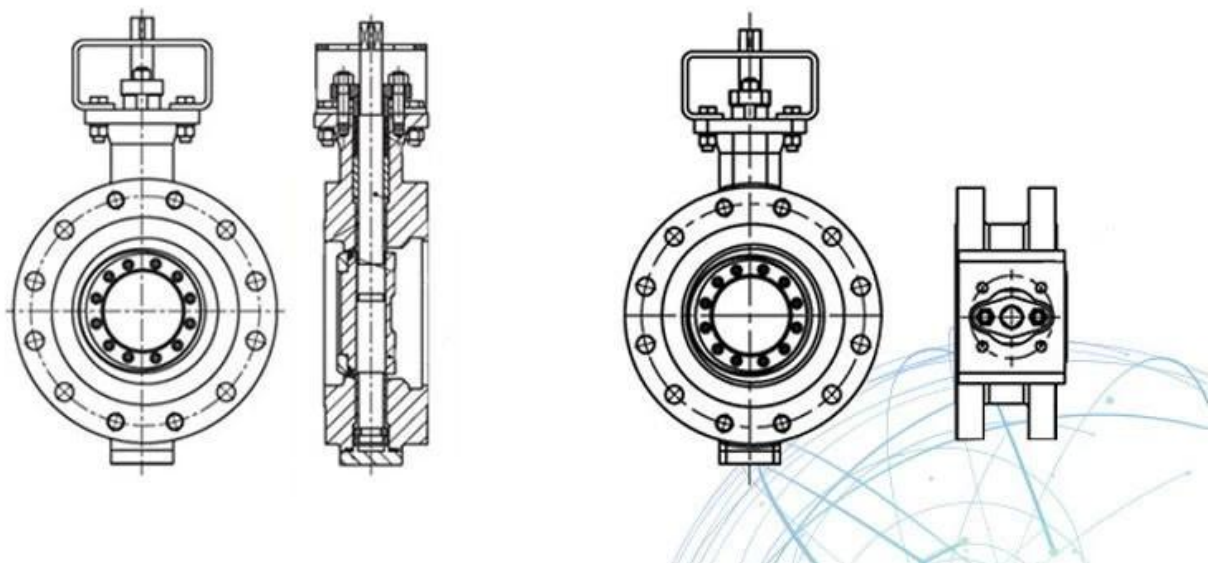


Check Valve



Pipe Fittings

DESIGN FEATURES



APPLICATION SCENARIO



Industrial water application



Power plant



Petroleum



Nuclear plant



Hydroelectric power



Marine operation



Healing drugs



Refined coal



Our Factory



Company Advantages



i 100% high level ex-factory inspection

ii 21 years of professional experience

iii 28 top senior professional researchers

iv 2 years quality assurance, repair and replacement

v GB, TUV CE, ISO 9001, ADWO-2000, TS, PED, WRC, WRA, KTW, API 6D, API609

Exhibition Photos



Our Certificates



□□□□□□□□□□□□□□□□

- □□□□□□□□□□□□□□□□□□□□

□□□□□□□□□□□□□□

- □□□□□□□□Hrdraulic□□□□□ RKSfluid□□□□□□□□□□□□□□□□□□□□

□□□□□□□□□□

□□RKSfluid□□□□□□□□□□□□□□□□

□□□□□□□□

□□□□□□□□2□5□□□□□□□□□□□□□□□□□□□□□□□□

□□Moq.

A□□□□□□□1PC□

□□□□□□□□□□

- □□□□□□100□□□□□□□□□□2□□□□□□□□□□□□□□□

□□□□□TUV□API□WRA□CE□ISO□□□□

□□□□□DIN□ASME□BS EN□JIS□API□AWWA□

□□□□□□□□□□□□□□

□□RKSfluid□□20□□□□□□70□□□□□□□□□□□□□□□□□□□□□□□□□□