

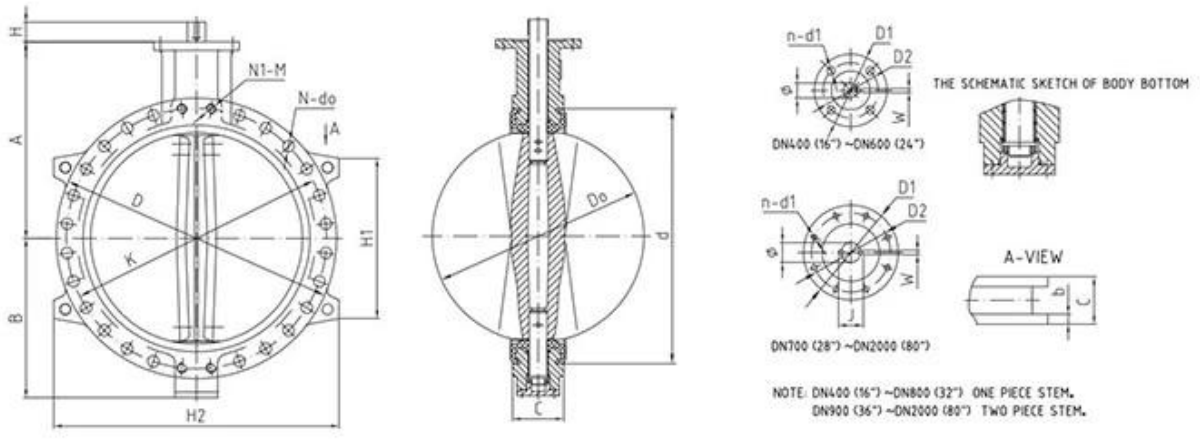
EN558-1 20

1.

2.

3.

DN	DN32 -DN2400 NPS1 1/4 -NPS96
PN	PN6 -PN10 -PN16 150
Temp	-40°C-+120°C
Material	
Seal	NBR EPDM Viton
Ends	U



APPLICATION SCENARIO



Industrial water application



Power plant



Sea water desalination



Water treatment



Water supply and drainage



HAVC



Food and drug



Water transport



COMPANY INFORMATION



i. 公司基本情况

ii. CNC 加工精度

iii. 质量管理体系

iv. 生产能力和交货周期

v. 符合 GB、TUV CE、ISO 9001、ADWO-2000、TS、PED、WRC WRAS、KTW、KTW、API 6D、API609 等标准

vi. 公司位于 [\[地址\]](#) / 电话 / 电子邮箱



01

21 years of professional experience

03

Independent research and development team
28 top senior professional researchers

05

100% high level ex-factory inspection

07

2 years quality assurance, repair and replacement

4 factories

02

2 professional testing centers

04

High quality imported materials

06

COMPANY QUALIFICATION



COMPANY EXHIBITION



Partners



□□□□

□□□□□□□□□□□□□□□□
 □□□□□□□□□□□□□□□□

□□□□□□□□□□□□□□
 □□□□□□□hrdraulic□□□□□RKSfluid□□□□□□□□□□□□□□□□

□□□□□□□□□□
 □□RKSfluid□□□□□□□□□□□□□□

□□□□□□□□
 □□□□□□□2□5□□□□□□□□□□□□□□□□□□□□□□□□

□□□
 □□□□□□□1□□

□□□□□□□□□□
 □□□□□100□□□□□□□2□□□□□□□□□□□□□□□□
 □□□□□TUV□API□WRAS□CE□ISO□□□□
 □□□□□DIN□ASME□BS EN□JIS□API□AWWA□

□□□□□□□□□□□□□□□□
 □□RKSfluid□□20□□□□□□□□70□□□□□□□□□□□□□□□□□□□□□□□□