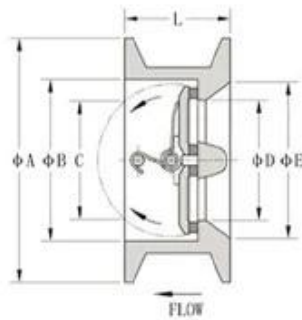


DN50-DN800
 PN10/PN16/Class 150

- I-III
- II-III
- III-III
- IV-III
- V-III

- HVAC
- DN
- DN
- DN
- DN
- DN
- DN
- DN
- DN



DN	DN50 -DN800
PN	PN10 / PN16 / Class 150
Temp	-10°C ~ +80°C
Material	GG25/GGG40/WCB/SS304/SS316/...

□□	EPDM□NBR□□□
□□□	□□□□□□

COMPANY FACTORY



COMPANY INFORMATION



i. 公司基本情况

ii. CNC 加工中心

iii. 质量管理体系

iv. 生产流程

v. 符合 GB、TUV CE、ISO 9001、ADWO-2000、TS、PED、WRC WRAS、KTW、KTW、API 6D、API609

vi. 公司资质证书 / 证书 / 检测报告

01

21 years of professional experience

03

Independent research and development team
28 top senior professional researchers

05

100% high level ex-factory inspection

07

2 years quality assurance, repair and replacement

4 factories

02

2 professional testing centers

04

High quality imported materials

06

COMPANY QUALIFICATION



COMPANY EXHIBITION



Partners



□□□□

□□□□□□□□□□□□□□□□
□□□□□□□□□□□□□□□□

□□□□□□□□□□□□□□
□□□□□□□hrdraulic□□□□□□RKSfluid□□□□□□□□□□□□□□□□□

□□□□□□□□□□□
□□RKSfluid□□□□□□□□□□□□□□

□□□□□□□□
□□□□□□□2□5□□□□□□□□□□□□□□□□□□□□□□□□□□□□

□□□
□□□□□□□1□□

□□□□□□□□□□
□□□□□100□□□□□□□□2□□□□□□□□□□□□□□□□□□□□
□□□□□TUV□API□WRAS□CE□ISO□□□□□□□□□□
□□□□□DIN□ASME□BS EN□JIS□API□AWWA□

□□□□□□□□□□□□□□□□□□
□□RKSfluid□□20□□□□□□□□70□□□□□□□□□□□□□□□□□□□□□□□□