

DESIGN FEATURES

DURABLE

- No-pin connection, 1 pc blow-out proof stem
- DI/CI Nodularity over 95%

ANTI-CORROSION

- Material: Epoxy powder:  , Earth Best!
- Coating Thickness: 200-250µm
- Spraying temp: over 200°C. Doesn't fade, even wipe with diethyl ether

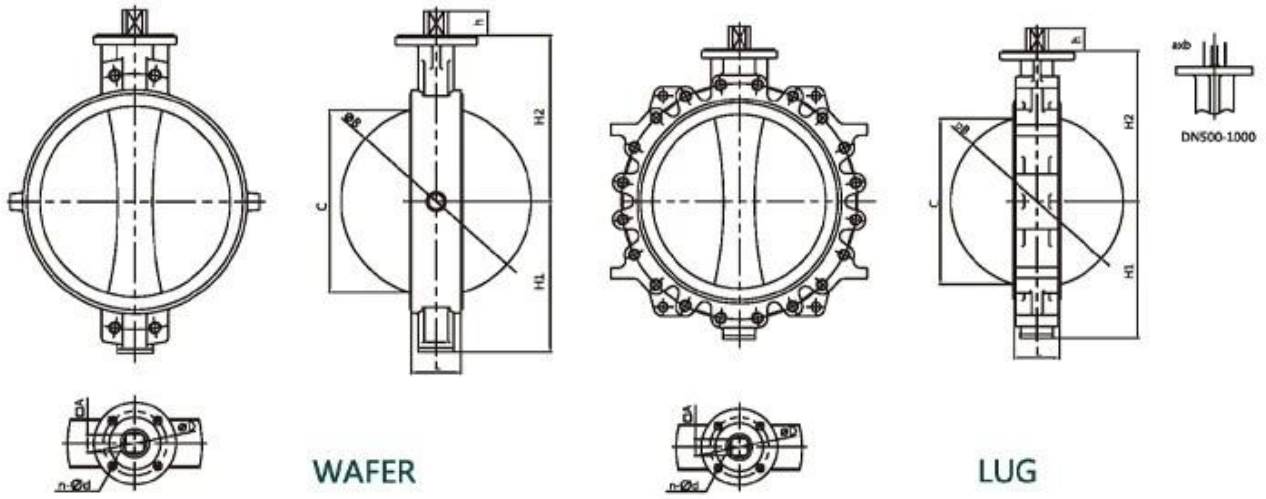
QUALITY STANDARD

- 100% quality test, follow DIN, ASTM, JIS, GB/T, ISO, BS EN, API
- ONLY ONE Manufacturer get CE certification up to DN1800
- 2 years warranty. 15000 times On-off test, 30000 times Destructive experiment



□□	DN32 - DN2400 □NPS1 1/4-NPS96)
□□□□	PN6 - PN10 - PN16□150 □□
□□□□	-40°C-120°C

□□	□□□□□□□□
□□□□	NBR□EPDM□□□□□□□□□□
□□	□□□□□□□□□□□□



NPS14-NPS40 Wafer/Lug with alignment holes

Size	L	H1	H2	h	A	ΦB	C	ΦG	a	b	ΦD	n-Φd	IS05211
NPS14	3.07	10.63	11.81	1.42	1.06	Φ13.31	12.95	-	-	-	Φ4.92	4-Φ0.55	F12
NPS16	4.02	11.81	13.58	1.69	1.26	Φ15.35	14.80	-	-	-	Φ5.50	4-Φ0.71	F14
NPS18	4.49	12.99	14.76	1.93	4.42	Φ17.20	16.61	-	-	-	Φ5.50	4-Φ0.71	F14
NPS20	5.00	15.16	16.73	2.56	-	Φ19.09	18.43	Φ2.36	0.71	2.52	Φ6.50	4-Φ0.87	F16
NPS24	6.06	17.24	19.49	2.76	-	Φ23.03	22.24	Φ2.36	0.71	2.52	Φ6.50	4-Φ0.87	F16
NPS28	6.50	20.39	22.44	3.15	-	Φ26.77	25.98	Φ2.76	0.79	2.93	Φ10.00	8-Φ0.71	F25
NPS30	6.50	21.46	24.02	3.15	-	Φ28.74	27.95	Φ2.76	0.79	2.93	Φ10.00	8-Φ0.71	F25
NPS32	7.48	22.32	25.20	3.15	-	Φ30.43	29.49	Φ2.76	0.79	2.93	Φ10.00	8-Φ0.71	F25
NPS36	7.99	25.59	27.56	3.94	-	Φ34.49	33.54	Φ3.15	0.87	3.35	Φ10.00	8-Φ0.71	F25
NPS40	8.50	28.15	29.53	3.94	-	Φ38.43	37.48	Φ3.15	0.87	3.35	Φ11.73	8-Φ0.87	F30

APPLICATION SCENARIO



Industrial water application



Power plant



Sea water desalination



Water treatment



Water supply and drainage



HAVC



Food and drug



Water transport



COMPANY INFORMATION



I 工厂地址: 浙江省温州市瓯海区梧槽工业园

II 工厂电话: +86 577 86988888

III 工厂传真: +86 577 86988888

工厂邮箱: info@wenzhou.com

V 工厂认证: TUV CE, ISO 9001, ADWO-2000, TS, PED, WRC, WRAS, KTW, API 6D, API 609

工厂网址: www.wenzhou.com



01

21 years of professional experience

03

Independent research and development team
28 top senior professional researchers

05

100% high level ex-factory inspection

07

2 years quality assurance, repair and replacement

4 factories

02

2 professional testing centers

04

High quality imported materials

06

COMPANY QUALIFICATION



COMPANY EXHIBITION



Partners



Delivery



Payment



□□□□

□: □□□□□□□□□□□□□□□□
 □□□□"□□□□□□□□□□□□□□□□

□: □□□□□□□□□□□□□□□□
 □□□□□□□□□□□□□□□□ RKSfluid □□□□□□□□□□□□□□□□□□□□

□: □□□□□□□□□□
 A□ RKSfluid □□□□□□□□□□□□□□□□□□□□

□□□□□□

A□ □□□□□ 2~5 □□□□□□□□□□□□□□□□

□: □□□□□

□: □□□□ 1 □□

□: □□□□□□□□

□: □□□ 100% □□□□□2 □□□□□□□□□□□□□□

□□□□□ TUV□API□WRAS□CE□ISO □□□

□□□□□ DIN□ASME□BS EN□JIS□API□AWWA□

□: □□□□□□□□□□□□□□□□□□

A□ RKSfluid □□27□□□□70□□□□□□□□□□□□□□□□□□□□□□