



RKSfluid®

A key Valve in Flow Control



Butterfly Valve



Ball Valve



Gate Valve



Globe Valve



Check Valve



Pipe Fittings

DESIGN FEATURES



Elastic stainless steel sealing ring, "0" leakage

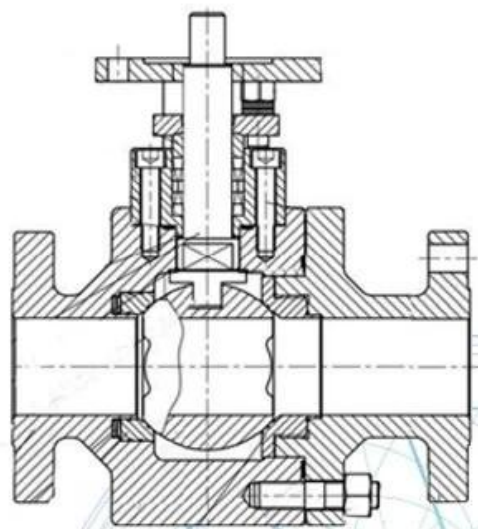
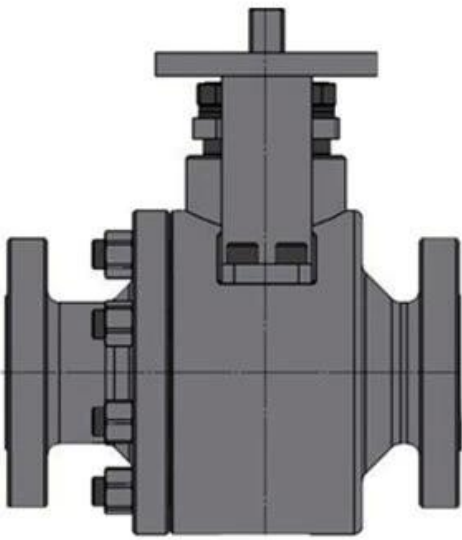
Fireproof structural design, blow-out proof stems

Double-arc incision design: reduce flow rate during on-off, reduce the erosion damage, long life

Double seal surface design: reduce the torque

Scraper structure design: scratch off ball surface

Unique universal joint design: reduce torque, on-off smoothly, long life



APPLICATION SCENARIO



Industrial water application



Power plant



Petroleum



Steel



Wastewater treatment



Acid-base



Healing drugs



Refined coal



Our Factory



Company Advantages



I 100% high level ex-factory inspection

II CNC precision processing

III 21 years of professional experience

IV 2 years quality assurance, repair and replacement

V GB, TUV CE, ISO 9001, ADWO-2000, TS, PED, WRC, WRAS, KTW, API 6D, API609

