

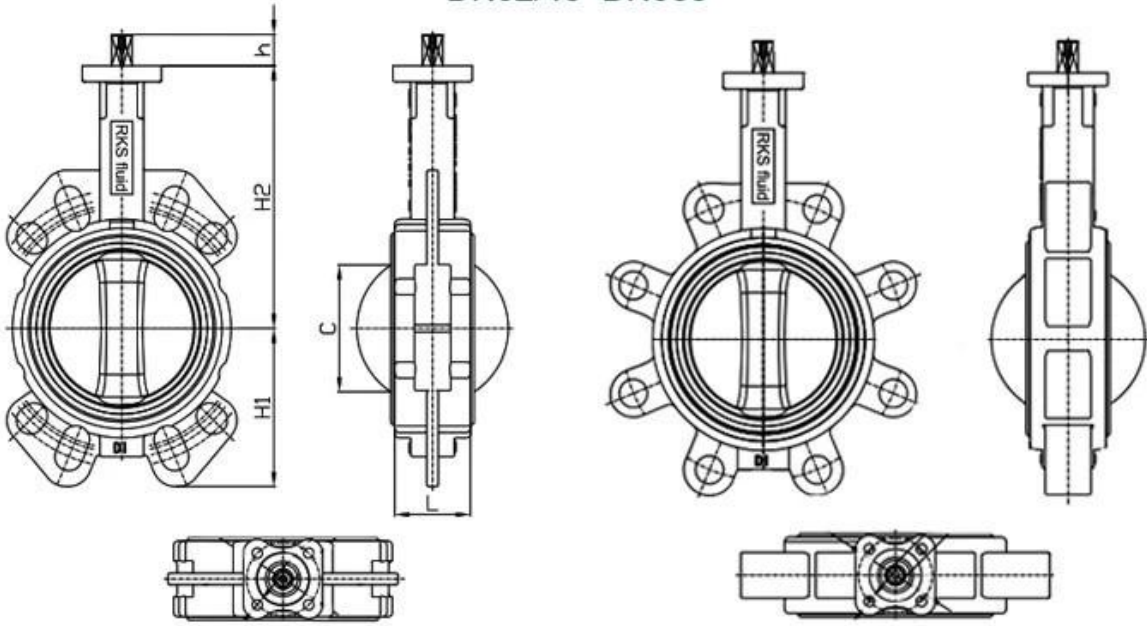


RKSfluid®

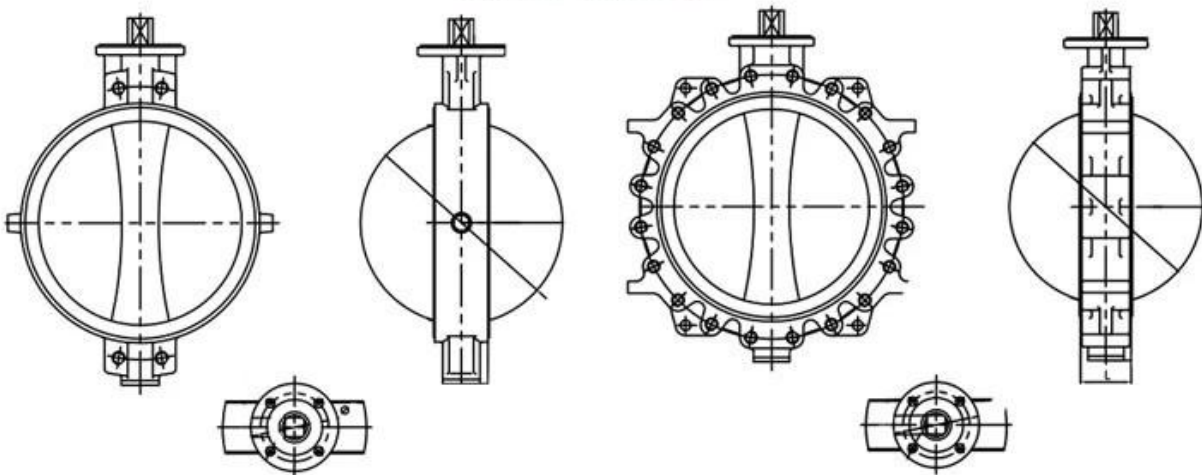
A key Valve in Flow Control



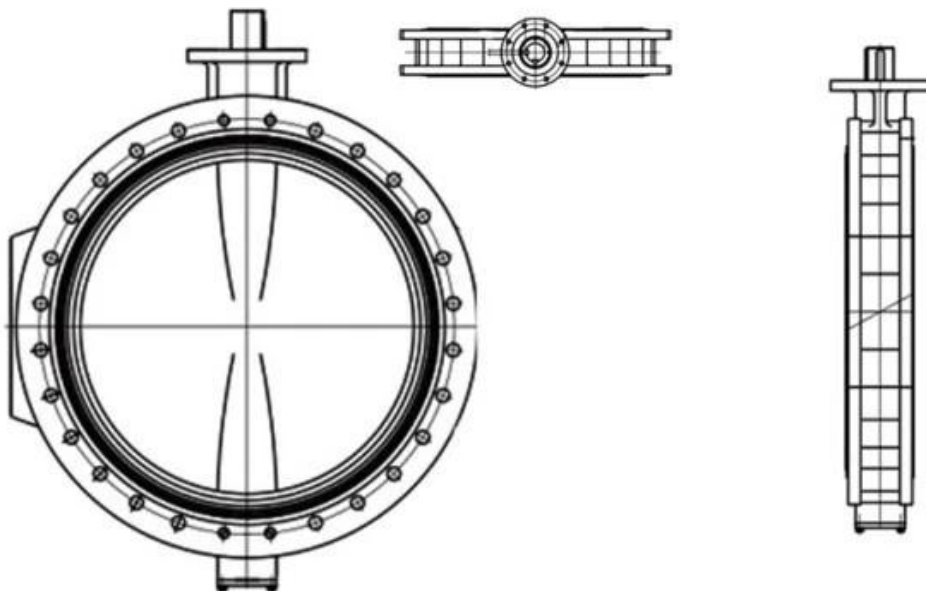
DN32/40~DN300



DN350~DN1000



DN500~DN2400




DESIGN FEATURES

DURABLE

- No-pin connection, 1 pc blow-out proof stem
- DI/CI Nodularity over 95%

ANTI-CORROSION

- Material: Epoxy powder:  , Earth Best!
- Coating Thickness: 200-250µm
- Spraying temp: over 200°C. Doesn't fade, even wipe with diethyl ether

QUALITY STANDARD

- 100% quality test, follow DIN, ASTM, JIS, GB/T, ISO, BS EN, API
- ONLY ONE Manufacturer get CE certification up to DN1800
- 2 years warranty. 15000 times On-off test, 30000 times Destructive experiment



APPLICATION SCENARIO



Industrial water application



Power plant



Sea water desalination



Water treatment



Water supply and drainage



HAVC



Food and drug



Water transport





PTFE lined butterfly valve



Resilient seat butterfly valve



Double offset butterfly valve



Triple offset butterfly valve



Ball valve



Pipe fittings

I 中国石化石油炼化行业

II 中国石化石油炼化行业

III 中国石化石油炼化行业

iv 中国石化石油炼化行业

v 中国石化石油炼化行业 TUV CE ISO 9001 ADWO-2000 TS PED WRC WRA KTW API 6D API609

VI 中国石化石油炼化行业

Our Factory



Company Advantages

01

21 years of professional experience

03

Independent research and development team
28 top senior professional researchers

05

100% high level ex-factory inspection

07

2 years quality assurance, repair and replacement

4 factories

02

2 professional testing centers

04

High quality imported materials

06

Exhibition Photos



Our Certificates



□□□□

□□□□□□□□□□□□□□□□
- □□□□□□□□□□□□□□□□□□□□

□□□□□□□□□□□□□□
- □□□□□□□□Hrdraulic□□□□ RKSfluid□□□□□□□□□□□□□□□□□□□□□□

□□□□□□□□□□
□□RKSfluid□□□□□□□□□□□□□□□□□□□□□□

□□□□□□□□
□□□□□□□□25□□□□□□□□□□□□□□□□□□□□□□□□□□□□□□□□

Moq.

A1PC

- 1002

TUV API WRA CE ISO

DIN ASME BS EN JIS API AWWA

RK fluid 20 70