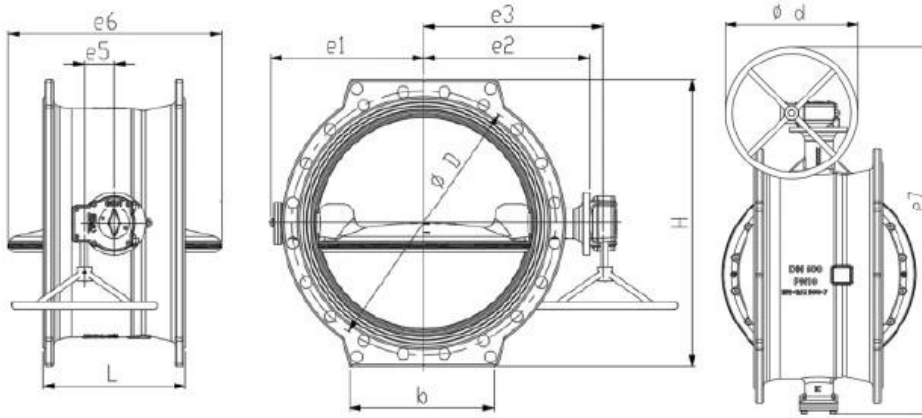


1. ATHENA
 2.



- 1.
- 2.

1	DN200-DN1800
2	PN10 PN16 PN25 PN40
3	
4	-10°C - 60°C
5	EN 593 EN1074-1/2
6	EN558 13 14
7	

APPLICATION SCENARIO



Industrial water application



Power plant



Sea water desalination



Water treatment



Water supply and drainage



HAVC



Food and drug



Water transport



COMPANY FACTORY



COMPANY INFORMATION



I 公司位于中国山东省潍坊市青州市

II 公司占地面积约 1000 亩

III 公司拥有先进的生产设备

IV 公司拥有专业的技术团队

V 公司通过了 TUV CE、ISO 9001、ADWO-2000、TS、PED、WRC WRAS、KTW、API 6D、API609

等认证，产品质量可靠，交货及时。

01

21 years of professional experience

03

Independent research and development team
28 top senior professional researchers

05

100% high level ex-factory inspection

07

2 years quality assurance, repair and replacement

4 factories

02

2 professional testing centers

04

High quality imported materials

06

COMPANY QUALIFICATION



COMPANY EXHIBITION



Partners



