

## DESIGN FEATURES

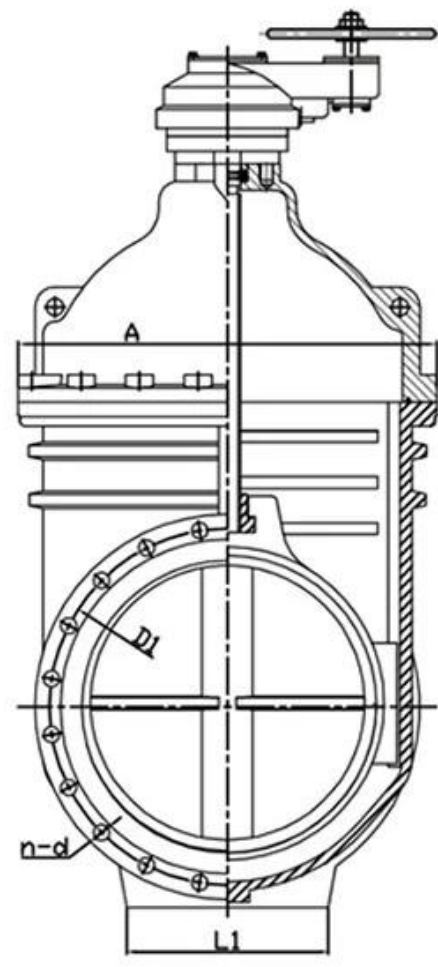
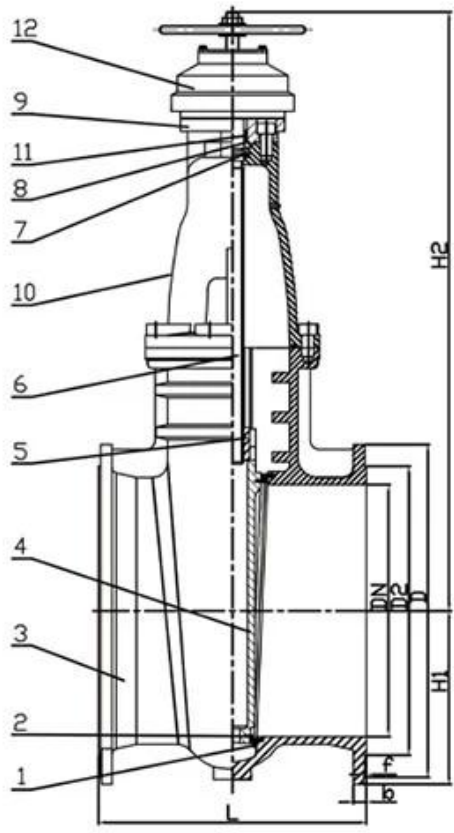


### ● TECHNICAL REQUIREMENT

- 1.Design standard:BS 5163.
- 2.Face to face:BS 5163.
- 3.Flanges standard:BS EN1092-2:1997 PN16.
- 4.Test standard:BS EN12266-1 Rate B.

### ● FEATURES

- Double flange metal seated gate valve
- Size Range:DN50-DN2000
- Standard-ISO/BS/DIN/AWWA/API
- Tests Standard-BS EN 12266-1
- Body Ring-Bronze/SS420/SS304/SS316
- Body-Ductile Iron /Cast Iron/Stainless Steel /WCB
- Fusion bonded epoxy coating-min 300 microns



**RELATED PRODUCTS**



**SMALL DIAMETER GATE VALVE**  
DN50-DN300,PN10/16/25



**METAL SEATED GATE VALVE**  
DN350-DN600,PN10/16/25



**LARGE DIAMETER METAL SEATED GATE VALVE**  
DN700-DN2000,PN10/16/25

## APPLICATION SCENARIO



Industrial water application



Power plant



Sea water desalination



Water treatment



Water supply and drainage



HAVC



Food and drug



Water transport



## COMPANY INFORMATION



I Business area: products for the control of fluids, technological and environmental protection products.

II Advanced CNC processing centers, professional process cells, large -range welding equipment, automatic assembly lines and coating.

III Standard Reference Unit of China, to participate in the development of relevant standards of the valves sector.

IV We have set up a research and development center in Houston, Texas, the United States.

V Product standard: GB, German standard, American standards, Tuv CE, ISO 9001, ADWO-200, TS, PED, WRC WRAS, KTW, API 6D, API609.

You main production: butterfly valve, ball valve, gate valve, re-lunch valve, globe valves, tubes fittings, manual / pneumatic / electrical actuator, valve parts.



01

21 years of professional experience

03

Independent research and development team  
28 top senior professional researchers

05

100% high level ex-factory inspection

07

2 years quality assurance, repair and replacement

4 factories

02

2 professional testing centers

04

High quality imported materials

06

# COMPANY QUALIFICATION



## COMPANY EXHIBITION



## Partners





Delivery



Payment



## Faq

**Q: If I need quotation, what information do we need?**

A: valves materials, temperature, pressure, vehicle, application system.

**Q: Can you provide actuators, what do you have?**

To: Pneumatic, electric, Hrdraulic, Solenoid valves. RKSfluid actuators adopt the USA technology. You need, just tell us.

**Q: What is your production capacity?**

A: RKSfluid has four plants that can provide the products you need.

**D: Production delivery time**

A: Normal products have stocks in 2 ~ 5 working days. Personalized on your need.

**D: Moq**

A: 1pc for all products.

**Q: And the guarantee of quality?**

A: 100% quality tests before delivery, 2 years warranty. In your system for safety system. We obtained Tuv, Api, Wras, CE, ISO certification.

Standard complies with DIN, ASME, BS EN, JIS, API, Awwa.

**Q: How could you provide a quality service to our customers?**

A: RKSfluid Own 20 years of experiences and more than 70 R&D engineers provide technical support, selection of models and installation indications for you.