


DESIGN FEATURES

DURABLE

- No-pin connection, 1 pc blow-out proof stem
- DI/CI Nodularity over 95%

ANTI-CORROSION

- Material: Epoxy powder:  , Earth Best!
- Coating Thickness: 200-250µm
- Spraying temp: over 200°C. Doesn't fade, even wipe with diethyl ether

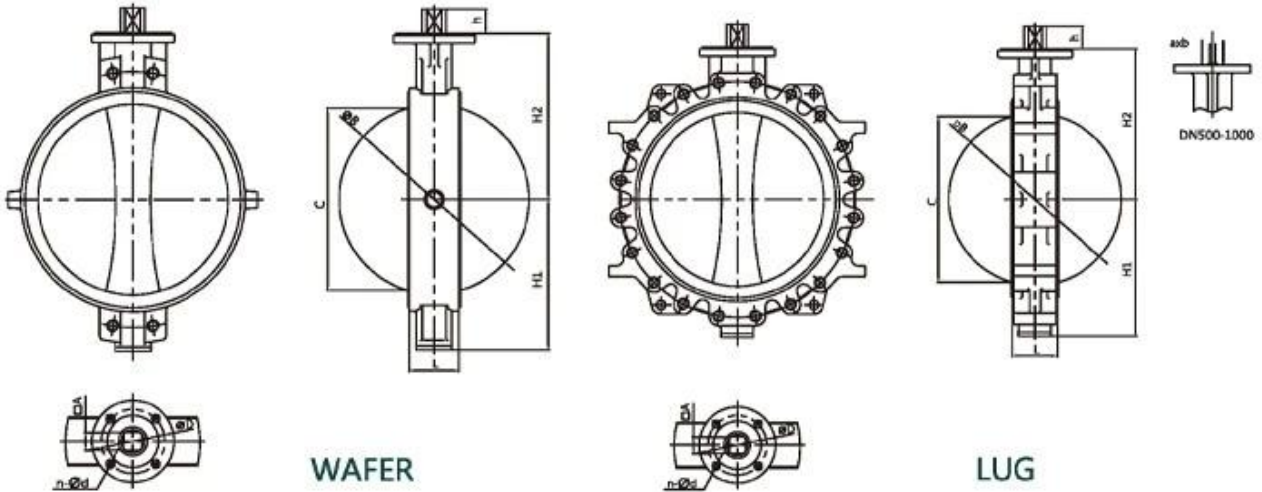
QUALITY STANDARD

- 100% quality test, follow DIN, ASTM, JIS, GB/T, ISO, BS EN, API
- ONLY ONE Manufacturer get CE certification up to DN1800
- 2 years warranty. 15000 times On-off test, 30000 times Destructive experiment



Size	DN32 - DN2400 □NPS1 1/4-NPS96)
Pressure ratings	PN6 - PN10 - PN16 (Class 150)

Temperature range	-40°C-+120°C
Material	Ductile iron, Stainless steel etc.
Seat material	NBR, EPDM, Nature rubber, Silicon, Viton
Connection	Wafer, Lug, U-Section, Double flange



NPS14-NPS40 Wafer/Lug with alignment holes													
Size	L	H1	H2	h	A	ΦB	C	ΦG	a	b	ΦD	n- Φd	IS05211
NPS14	3.07	10.63	11.81	1.42	1.06	$\Phi 13.31$	12.95	-	-	-	$\Phi 4.92$	4- $\Phi 0.55$	F12
NPS16	4.02	11.81	13.58	1.69	1.26	$\Phi 15.35$	14.80	-	-	-	$\Phi 5.50$	4- $\Phi 0.71$	F14
NPS18	4.49	12.99	14.76	1.93	4.42	$\Phi 17.20$	16.61	-	-	-	$\Phi 5.50$	4- $\Phi 0.71$	F14
NPS20	5.00	15.16	16.73	2.56	-	$\Phi 19.09$	18.43	$\Phi 2.36$	0.71	2.52	$\Phi 6.50$	4- $\Phi 0.87$	F16
NPS24	6.06	17.24	19.49	2.76	-	$\Phi 23.03$	22.24	$\Phi 2.36$	0.71	2.52	$\Phi 6.50$	4- $\Phi 0.87$	F16
NPS28	6.50	20.39	22.44	3.15	-	$\Phi 26.77$	25.98	$\Phi 2.76$	0.79	2.93	$\Phi 10.00$	8- $\Phi 0.71$	F25
NPS30	6.50	21.46	24.02	3.15	-	$\Phi 28.74$	27.95	$\Phi 2.76$	0.79	2.93	$\Phi 10.00$	8- $\Phi 0.71$	F25
NPS32	7.48	22.32	25.20	3.15	-	$\Phi 30.43$	29.49	$\Phi 2.76$	0.79	2.93	$\Phi 10.00$	8- $\Phi 0.71$	F25
NPS36	7.99	25.59	27.56	3.94	-	$\Phi 34.49$	33.54	$\Phi 3.15$	0.87	3.35	$\Phi 10.00$	8- $\Phi 0.71$	F25
NPS40	8.50	28.15	29.53	3.94	-	$\Phi 38.43$	37.48	$\Phi 3.15$	0.87	3.35	$\Phi 11.73$	8- $\Phi 0.87$	F30

APPLICATION SCENARIO



Industrial water application



Power plant



Sea water desalination



Water treatment



Water supply and drainage



HAVC



Food and drug



Water transport



COMPANY INFORMATION



I Business area: fluid control products, technology and environmental protection products.

II Advanced CNC machining centers, professional process cells, wide-range welding equipment, automatic assembly lines and coating.

III China's standard reference unit, to participate in the development of relevant valve industry standards.

IV We have set up a research and development center in Houston, Texas, in the United States.

V Product Standard: GB, German Standard, American Standard, TUV CE, ISO 9001, ADWO-2000, TS, PED, WRC WRAS, KTW, API 6D, API609.

VI Main production: [butterfly valve](#), ball valve, gate valve, check valve, globe valves, pipe fittings, manual / pneumatic / electric actuator, valve parts.



01

21 years of professional experience

03

Independent research and development team
28 top senior professional researchers

05

100% high level ex-factory inspection

07

2 years quality assurance, repair and replacement

4 factories

02

2 professional testing centers

04

High quality imported materials

06

COMPANY QUALIFICATION



COMPANY EXHIBITION



Partners



Delivery



Payment



FAQ:

Q: If I need quotation, what informations do we need?

A: Valves' materials, Temperature, Pressure, Medium, Applplication System.

Q: Can you provide actuators, what you have?

A: Pneumatic, Electric, Hrdraulic, Solenoid Valves. RKSfluid actuators adopt USA technology. Which you need, just tell us.

Q: What's your productive capacity?

A: RKSfluid has four plants that can provide the products you need.

Q: Production lead time

A: Normal products have stock in 2~5 working days. Customized base on your need.

Q: MOQ

A: 1pc for all products.

Q: How about the quality assurance?

A: 100% quality test before delivery, 2 years warranty. Ensure your system working safety.

We got TUV, API, WRAS, CE, ISO certification.

Standard conform to DIN, ASME, BS EN, JIS, API, AWWA.

Q: How could you provide quality service to our customers?

A: RKSfluid own 20 years experiences and more than 70 R&D engineers provide technical support, model selection and installation guidance for you.