

**RKSfluid®**



**RKSfluid®**



**RKSfluid®**



RKSfluid

**RKSfluid®**



**RKSfluid®**



**RKSfluid®**




RKSfluid

## DESIGN FEATURES

### DURABLE

- **No-pin** connection, 1 pc **blow-out proof stem**
- DI/CI Nodularity over **95%**

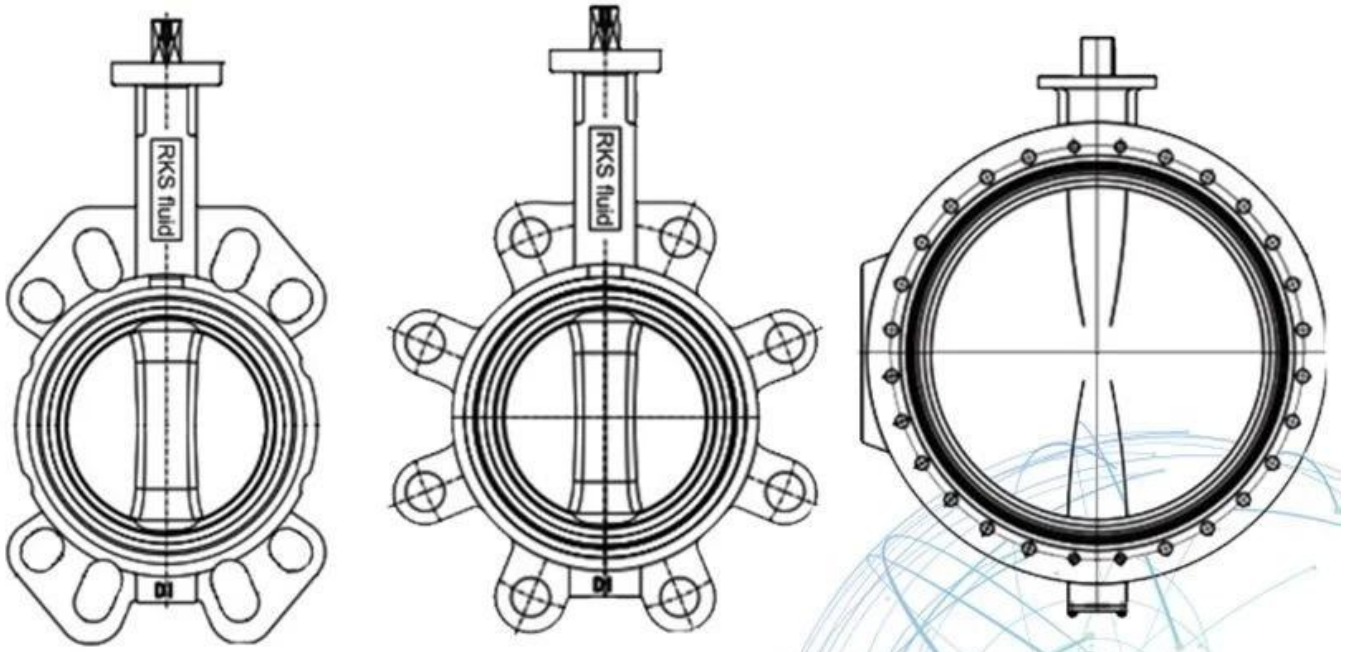
### ANTI-CORROSION

- Material: Epoxy powder:  , Earth Best!
- Coating Thickness: **200-250µm**
- Spraying temp: over **200°C**. Doesn't fade, even wipe with diethyl ether

### QUALITY STANDARD

- **100% quality test**, follow DIN, ASTM, JIS, GB/T, ISO, BS EN, API
- **ONLY ONE** Manufacturer get **CE** certification up to **DN1800**
- **2 years** warranty. **15000** times On-off test, **30000** times Destructive experiment





## APPLICATION SCENARIO



Industrial water application



Power plant



Sea water desalination



Water treatment



Water supply and drainage



HAVC



Food and drug



Water transport





# Our Factory



## FAQ

Q: If I need quotation, what informations do we need?

A: Valves' materials, Temperature, Pressure, Medium, Appllication System.

Q: Can you provide actuators, what you have?

A: Pneumatic, Electric, Hrdraulic, Solenoid Valves. RKSfluid actuators adopt USA technology. Which you need, just tell us.

Q: What's your productive capacity?

A: RKSfluid has four plants that can provide the products you need.

Q: Production lead time

A: Normal products have stock in 2~5 working days. Customized base on your need.

Q: MOQ

A: 1pc for all products.

Q: How about the quality assurance?

A: 100% quality test before delivery, 2 years warranty. Ensure your system working safety. We got TUV, API, WRAS, CE, ISO certification.

Standard conform to DIN, ASME, BS EN, JIS, API, AWWA.

Q: How could you provide quality service to our customers?

A: RKSfluid own 20 years experiences and more than 70 R&D engineers provide technical support, model selection and installation guidance for you.

## Exhibition Photos



## Our Certificates

